

# MEMORY

## CMOS

# 2 × 2 M × 4 BITS

# SYNCHRONOUS DYNAMIC RAM

## MB81117422E-125/-100/-84/-67

### CMOS 2 BANKS OF 2,097,152-WORD × 4 BITS SYNCHRONOUS DYNAMIC RANDOM ACCESS MEMORY

#### ■ DESCRIPTION

The Fujitsu MB81117422E is a CMOS Synchronous Dynamic Random Access Memory (SDRAM) containing 16,777,216 memory cells accessible in an 4-bit format. The MB81117422E features a fully synchronous operation referenced to a positive edge clock whereby all operations are synchronized at a clock input which enables high performance and simple user interface coexistence. The MB81117422E SDRAM is designed to reduce the complexity of using a standard dynamic RAM (DRAM) which requires many control signal timing constraints, and may improve data bandwidth of memory as much as 5 times more than a standard DRAM.

The MB81117422E is ideally suited for laser printers, high resolution graphic adapters, accelerators and other applications where an extremely large memory and bandwidth are required and where a simple interface is needed.

#### ■ PRODUCT LINE & FEATURES

Parameter	MB81117422E			
	-125	-100	-84	-67
Clock Frequency	125 MHz max.	100 MHz max.	84 MHz max.	67 MHz max.
Burst Mode Cycle Time	8 ns min.	10 ns min.	12 ns min.	15 ns min.
RAS Access Time	45 ns max.	54 ns max.	56 ns max.	60 ns max.
CAS Access Time	21 ns max.	24 ns max.	26 ns max.	30 ns max.
Access Time From Clock (CL = 3)	7.5 ns max.	8.5 ns max.	8.5 ns max.	9 ns max.
Operating Current (Two banks active)	140 mA max.	130 mA max.	120 mA max.	110 mA max.
Power Down Mode Current	2 mA max.			

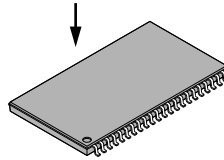
- Single +3.3 V Supply ±0.3 V tolerance
- LVTTTL compatible I/O
- 2 K refresh cycles every 32.8 ms
- Dual bank operation
- Byte control by DQM
- Burst Read/Write operation and burst read/single write operation capability
- Programmable burst type, burst length, and CAS latency
- Auto and Self Refresh (every 16 μs)
- CKE power down mode
- Output Enable and Input Data Mask

# MB81117422E-125/-100/-84/-67

## ■ PACKAGE

Plastic TSOP Package

Marking side



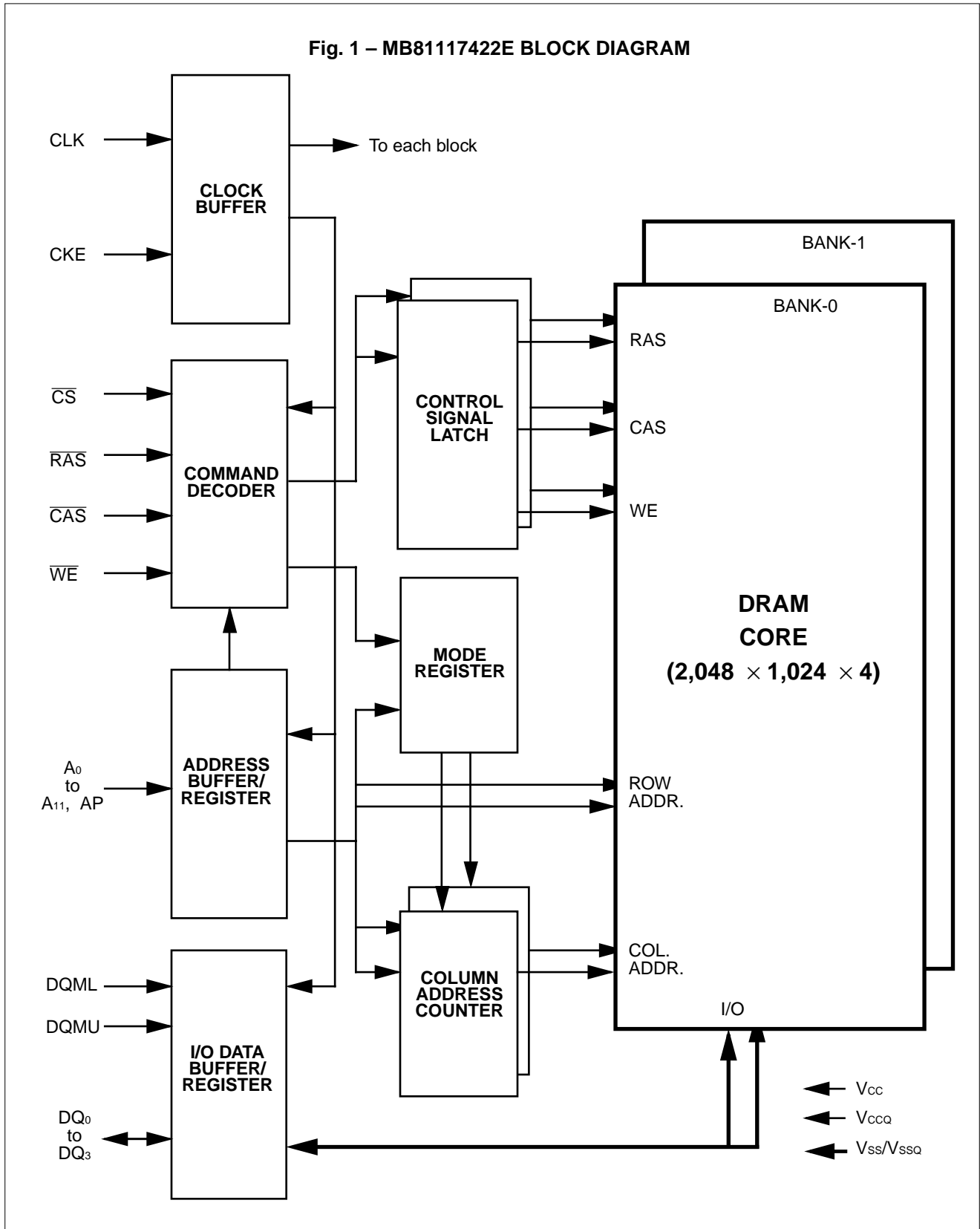
(FPT-44P-M18)  
(Normal Bend)

### Package and Ordering Information

– 44-pin plastic (400 mil) TSOP-II, order as MB81117422E-xxxFN (2K Refresh)

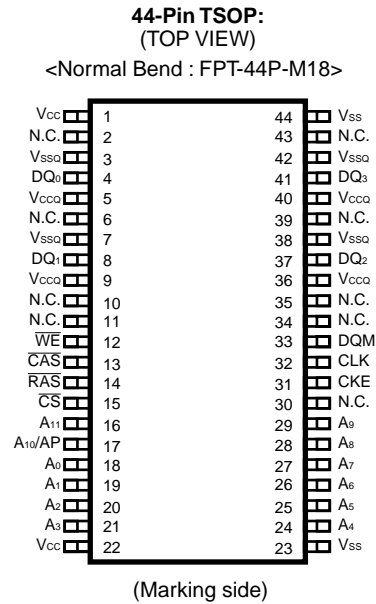
# MB81117422E-125/-100/-84/-67

## ■ BLOCK DIAGRAM



# MB81117422E-125/-100/-84/-67

## ■ PIN ASSIGNMENTS AND DESCRIPTIONS



Pin Number	Symbol	Description
1, 5, 9, 22, 36, 40	V <sub>CC</sub> , V <sub>CCQ</sub>	Supply Voltage
4, 8, 37, 41	DQ <sub>0</sub> to DQ <sub>3</sub>	Data I/O
3, 7, 23, 38, 42, 44	V <sub>SS</sub> , V <sub>SSQ</sub> *	Ground
2, 6, 10, 11, 30, 34, 35, 39, 43	N.C.	No Connection
12	$\overline{WE}$	Write Enable
13	$\overline{CAS}$	Column Address Strobe
14	$\overline{RAS}$	Row Address Strobe
15	$\overline{CS}$	Chip Select
16	A <sub>11</sub> (BA)	Bank Select
17	AP	Auto Precharge Enable
17, 18, 19, 20, 21, 24, 25, 26, 27, 28, 29	A <sub>0</sub> to A <sub>10</sub>	Address Input <ul style="list-style-type: none"> <li>• Row : A<sub>0</sub> to A<sub>10</sub></li> <li>• Column : A<sub>0</sub> to A<sub>9</sub></li> </ul>
31	CKE	Clock Enable
32	CLK	Clock Input
33	DQM	Input Mask/Output Enable

\* : These pins are connected internally in the chip.

# MB81117422E-125/-100/-84/-67

## ■ FUNCTION TRUTH TABLE

### COMMAND TRUTH TABLE

Function	Notes	Symbol	CKE		$\overline{CS}$	$\overline{RAS}$	$\overline{CAS}$	$\overline{WE}$	A <sub>11</sub> (BA)	A <sub>10</sub> (AP)	A <sub>9</sub> to A <sub>0</sub>
			n-1	n							
Device Deselect	*5	DESL	H	X	H	X	X	X	X	X	X
No Operation	*5	NOP	H	X	L	H	H	H	X	X	X
Burst Stop	*6	BST	H	X	L	H	H	L	X	X	X
Read	*7	READ	H	X	L	H	L	H	V	L	V
Read with Auto-precharge	*7	READA	H	X	L	H	L	H	V	H	V
Write	*7	WRIT	H	X	L	H	L	L	V	L	V
Write with Auto-precharge	*7	WRITA	H	X	L	H	L	L	V	H	V
Bank Active ( $\overline{RAS}$ )	*8	ACTV	H	X	L	L	H	H	V	V	V
Precharge Single Bank		PRE	H	X	L	L	H	L	V	L	X
Precharge All Banks		PALL	H	X	L	L	H	L	X	H	X
Mode Register Set	*9,10	MRS	H	X	L	L	L	L	V	L	V

- Notes:**
- \*1. V = Valid, L = Logic Low, H = Logic High, X = either L or H.
  - \*2. All commands assumes no CSUS command on previous rising edge of clock.
  - \*3. All commands are assumed to be valid state transitions.
  - \*4. All inputs are latched on the rising edge of clock.
  - \*5. NOP and DESL commands have the same effect on the part.
  - \*6. BST command is effective only during full column burst read or write.
  - \*7. READ, READA, WRIT and WRITA commands should only be issued after the corresponding bank has been activated (ACTV command). Refer to STATE DIAGRAM.
  - \*8. ACTV command should only be issued after corresponding bank has been precharged (PRE or PALL command).
  - \*9. Required after power up.
  - \*10. MRS command should only be issued after all banks have been precharged (PRE or PALL command). Refer to STATE DIAGRAM.

# MB81117422E-125/-100/-84/-67

## DQM TRUTH TABLE

Function	Command	CKE		DQM
		n-1	n	
Data Write/Output Enable	ENBL	H	X	L
Data Mask/Output Disable	MASK	H	X	H

## CKE TRUTH TABLE

Current State	Function	Notes	Symbol	CKE		$\overline{CS}$	$\overline{RAS}$	$\overline{CAS}$	$\overline{WE}$	A <sub>11</sub> (BA)	A <sub>10</sub> (AP)	A <sub>9</sub> to A <sub>0</sub>
				n-1	n							
Bank Active	Clock Suspend Mode Entry	*1	CSUS	H	L	X	X	X	X	X	X	X
Any	Clock Suspend Continue	*1		L	L	X	X	X	X	X	X	X
Clock Suspend	Clock Suspend Mode Exit			L	H	X	X	X	X	X	X	X
Idle	Auto-refresh Command	*2	REF	H	H	L	L	L	H	X	X	X
Idle	Self-refresh Entry	*2	SELF	H	L	L	L	L	H	X	X	X
Self Refresh	Self-refresh Exit		SELF	L	H	L	H	H	H	X	X	X
				L	H	H	X	X	X	X	X	X
Idle	Power Down Entry		PD	H	L	L	H	H	H	X	X	X
				H	L	H	X	X	X	X	X	X
Precharge	Power Down Entry		PD	H	L	L	H	H	H	X	X	X
				H	L	H	X	X	X	X	X	X
Back Active	Power Down Entry	*3	PD	H	L	L	L	H	L	V	L	X
				H	L	L	L	H	L	X	H	X
Power Down	Power Down Exit			L	H	L	H	H	H	X	X	X
				L	H	H	X	X	X	X	X	X

**Notes:** \*1. The CSUS command requires that at least one bank is active. Refer to STATE DIAGRAM.

\*2. REF and SELF commands should only be issued after all banks have been precharged (PRE or PALL command). Refer to STATE DIAGRAM.

\*3. PD command should be issued after all banks have been precharged (PRE or PALL command). If a bank or all banks are in active state, PD command can be issued in conjunction with PRE or PALL command whichever Precharge command makes all banks in idle state.

# MB81117422E-125/-100/-84/-67

## OPERATION COMMAND TABLE (Aplicable to single bank)

Current State	$\overline{CS}$	$\overline{RAS}$	$\overline{CAS}$	$\overline{WE}$	Addr	Command	Function	Notes
Idle	H	X	X	X	X	DESL	NOP	
	L	H	H	H	X	NOP	NOP	
	L	H	H	L	X	BST	NOP	
	L	H	L	H	BA, CA, AP	READ/READA	Illegal	
	L	H	L	L	BA, CA, AP	WRIT/WRITA	Illegal	
	L	L	H	H	BA, RA	ACTV	Bank Active after $t_{RCD}$	
	L	L	H	L	BA, AP	PRE/PALL	NOP	
	L	L	L	H	X	REF/SELF	Auto Refresh or Self Refresh	*3
	L	L	L	L	MODE	MRS	Mode Register Set (Idle after $t_{RSC}$ )	*3
Bank Active	H	X	X	X	X	DESL	NOP	
	L	H	H	H	X	NOP	NOP	
	L	H	L	H	BA, CA, AP	READ/READA	Begin Read; Determine AP	
	L	H	H	L	X	BST	NOP	
	L	H	L	L	BA, CA, AP	WRIT/WRITA	Begin Write; Determine AP	
	L	L	H	H	BA, RA	ACTV	Illegal	*2
	L	L	H	L	BA, AP	PRE/PALL	Precharge; Determine Precharge Type	
	L	L	L	H	X	REF/SELF	Illegal	
	L	L	L	L	MODE	MRS	Illegal	

(Continued)

## MB81117422E-125/-100/-84/-67

(Continued)

Current State	$\overline{CS}$	$\overline{RAS}$	$\overline{CAS}$	$\overline{WE}$	Addr	Command	Function	Notes
Read	H	X	X	X	X	DESL	NOP (Continue Burst to End → Bank Active)	
	L	H	H	H	X	NOP	NOP (Continue Burst to End → Bank Active)	
	L	H	H	L	X	BST	Burst Stop → Bank Active (BL=Full Column) NOP (BL=1, 2, 4, 8)	
	L	H	L	H	BA, CA, AP	READ/READA	Terminate Burst, New Read; Determine AP	
	L	H	L	L	BA, CA, AP	WRIT/WRITA	Terminate Burst, Start Write; Determine AP	*4
	L	L	H	H	BA, RA	ACTV	Illegal	*2
	L	L	H	L	BA, AP	PRE/PALL	Terminate Burst, Precharge; Determine Precharge Type	
	L	L	L	H	X	REF/SELF	Illegal	
	L	L	L	L	MODE	MRS	Illegal	
Write	H	X	X	X	X	DESL	NOP (Continue Burst to End → Write Recovering)	
	L	H	H	H	X	NOP	NOP (Continue Burst to End → Write Recovering)	
	L	H	H	L	X	BST	Burst Stop → Write Recovering → Bank Active (BL=Full Column) NOP(BL=1, 2, 4, 8)	
	L	H	L	H	BA, CA, AP	READ/READA	Terminate Burst, Start Read; Determine AP	
	L	H	L	L	BA, CA, AP	WRIT/WRITA	Terminate Burst, New Write; Determine AP	*4
	L	L	H	H	BA, RA	ACTV	Illegal	*2
	L	L	H	L	BA, AP	PRE/PALL	Terminate Burst, Precharge; Determine Precharge Type	*4
	L	L	L	H	X	REF/SELF	Illegal	
	L	L	L	L	MODE	MRS	Illegal	



## MB81117422E-125/-100/-84/-67

(Continued)

Current State	$\overline{CS}$	$\overline{RAS}$	$\overline{CAS}$	$\overline{WE}$	Addr	Command	Function	Notes
Read with Auto-Precharge	H	X	X	X	X	DESL	NOP (Continue Burst to End → Precharge)	
	L	H	H	H	X	NOP	NOP (Continue Burst to End → Precharge)	
	L	H	H	L	X	BST	Illegal	
	L	H	L	H	BA, CA, AP	READ/READA	Illegal	*2
	L	H	L	L	BA, CA, AP	WRIT/WRITA	Illegal	*2
	L	L	H	H	BA, RA	ACTV	Other Bank Active, Illegal on Same Bank	*2
	L	L	H	L	BA, AP	PRE/PALL	Illegal	*2
	L	L	L	H	X	REF/SELF	Illegal	
	L	L	L	L	MODE	MRS	Illegal	
Write with Auto-Precharge	H	X	X	X	X	DESL	NOP (Continue Burst to End → Write Recovering with Precharge)	
	L	H	H	H	X	NOP	NOP (Continue Burst to End → Write Recovering with Precharge)	
	L	H	H	L	X	BST	Illegal	
	L	H	L	H	BA, CA, AP	READ/READA	Other Bank Read, Illegal on Same Bank	*2
	L	H	L	L	BA, CA, AP	WRIT/WRITA	Other Bank Write, Illegal on Same Bank	*2
	L	L	H	H	BA, RA	ACTV	Illegal	*2
	L	L	H	L	BA, AP	PRE/PALL	Illegal	*2
	L	L	L	H	X	REF/SELF	Illegal	
	L	L	L	L	MODE	MRS	Illegal	

## MB81117422E-125/-100/-84/-67

(Continued)

Current State	$\overline{CS}$	$\overline{RAS}$	$\overline{CAS}$	$\overline{WE}$	Addr	Command	Function	Notes
Precharge	H	X	X	X	X	DESL	NOP (Idle after $t_{RP}$ )	
	L	H	H	H	X	NOP	NOP (Idle after $t_{RP}$ )	
	L	H	H	L	X	BST	Illegal	
	L	H	L	H	BA, CA, AP	READ/READA	Illegal	*2
	L	H	L	L	BA, CA, AP	WRIT/WRITA	Illegal	*2
	L	L	H	H	BA, RA	ACTV	Illegal	*2
	L	L	H	L	BA, AP	PRE/PALL	NOP (PALL May Affect Other Bank)	*5
	L	L	L	H	X	REF/SELF	Illegal	
	L	L	L	L	MODE	MRS	Illegal	
Bank Activating	H	X	X	X	X	DESL	NOP (Bank Active after $t_{RCD}$ )	
	L	H	H	H	X	NOP	NOP (Bank Active after $t_{RCD}$ )	
	L	H	H	L	X	BST	NOP (Bank Active after $t_{RCD}$ )	
	L	H	L	H	BA, CA, AP	READ/READA	Illegal	*2
	L	H	L	L	BA, CA, AP	WRIT/WRITA	Illegal	*2
	L	L	H	H	BA, RA	ACTV	Illegal	*6
	L	L	H	L	BA, AP	PRE/PALL	Illegal	*2
	L	L	L	H	X	REF/SELF	Illegal	
	L	L	L	L	MODE	MRS	Illegal	

## MB81117422E-125/-100/-84/-67

(Continued)

Current State	$\overline{CS}$	$\overline{RAS}$	$\overline{CAS}$	$\overline{WE}$	Addr	Command	Function	Notes
Write Recovering	H	X	X	X	X	DESL	NOP (Bank Active after $t_{WR}/t_{BWC}$ )	
	L	H	H	H	X	NOP	NOP (Bank Active after $t_{WR}/t_{BWC}$ )	
	L	H	H	L	X	BST	NOP (Bank Active after $t_{WR}/t_{BWC}$ )	
	L	H	L	H	BA, CA, AP	READ/READA	Start Read; Determine AP	*4
	L	H	L	L	BA, CA, AP	WRIT/WRITA	New Write; Determine AP	
	L	L	H	H	BA, RA	ACTV	Illegal	*2
	L	L	H	L	BA, AP	PRE/PALL	Illegal	*2
	L	L	L	H	X	REF/SELF	Illegal	
Write Recovering with Auto-Precharge	L	L	L	L	MODE	MRS	Illegal	
	H	X	X	X	X	DESL	NOP (Precharge after $t_{RWL}/t_{BWL}$ )	
	L	H	H	H	X	NOP	NOP (Precharge after $t_{RWL}/t_{BWL}$ )	
	L	H	H	L	X	BST	Illegal	
	L	H	L	H	BA, CA, AP	READ/READA	Illegal	*2
	L	H	L	L	BA, CA, AP	WRIT/WRITA	Illegal	*2
	L	L	H	H	BA, RA	ACTV	Illegal	*2
	L	L	H	L	BA, AP	PRE/PALL	Illegal	*2
L	L	L	H	X	REF/SELF	Illegal		
L	L	L	L	MODE	MRS	Illegal		

# MB81117422E-125/-100/-84/-67

(Continued)

Current State	$\overline{CS}$	$\overline{RAS}$	$\overline{CAS}$	$\overline{WE}$	Addr	Command	Function	Notes
Refreshing	H	X	X	X	X	DESL	NOP (Idle after $t_{RC}$ )	
	L	H	H	X	X	NOP/BST	NOP (Idle after $t_{RC}$ )	
	L	H	L	X	X	READ/READA/ WRIT/WRTA	Illegal	
	L	L	H	X	X	ACTV/PRE/ PALL	Illegal	
	L	L	L	X	X	REF/SELF/ MRS	Illegal	*6
Mode Register Setting	H	X	X	X	X	DESL	NOP (Idle after $t_{RSC}$ )	
	L	H	H	H	X	NOP	NOP (Idle after $t_{RSC}$ )	
	L	H	H	L	X	BST	Illegal	
	L	H	L	X	X	READ/READA/ WRIT/WRTA	Illegal	
	L	L	X	X	X	ACTV/PRE/ PALL/REF/ SELF/MRS	Illegal	

## ABBREVIATIONS:

RA = Row Address

BA = Bank Address

CA = Column Address

AP = Auto Precharge

## MB81117422E-125/-100/-84/-67

## COMMAND TRUTH TABLE FOR CKE

Current State	CKE <sub>n-1</sub>	CKE <sub>n</sub>	$\overline{CS}$	RAS	$\overline{CAS}$	WE	Addr	Function	Notes
Self Refresh	H	X	X	X	X	X	X	Invalid	
	L	H	H	X	X	X	X	Exit Self Refresh, Idle after $t_{RC}$	
	L	H	L	H	H	H	X	Exit Self Refresh, Idle after $t_{RC}$	
	L	H	L	H	L	X	X	Illegal	
	L	H	L	L	X	X	X	Illegal	
	L	L	X	X	X	X	X	NOP (Maintain Self Refresh)	
Self Refresh Recovery	H	H	H	X	X	X	X	Idle after $t_{RC}$	
	H	H	L	H	H	X	X	Idle after $t_{RC}$	
	H	H	L	H	L	X	X	Illegal	
	H	H	L	L	X	X	X	Illegal	
	H	L	H	X	X	X	X	Begin Clock Suspend Next Cycle	
	H	L	L	H	H	X	X	Begin Clock Suspend Next Cycle	
	H	L	L	H	L	X	X	Illegal	
	H	L	L	L	X	X	X	Illegal	
	L	H	X	X	X	X	X	Exit Clock Suspend Next Cycle	
	L	L	X	X	X	X	X	Maintain Clock Suspend	

(Continued)

## MB81117422E-125/-100/-84/-67

(Continued)

Current State	CKE <sub>n-1</sub>	CKE <sub>n</sub>	$\overline{CS}$	$\overline{RAS}$	$\overline{CAS}$	$\overline{WE}$	Addr	Function	Notes
Power Down	H	X	X	X	X	X	—	Invalid	
	L	H	H	X	X	X	X	Exit Power Down Mode → Idle	
			L	H	H	H	X		
	L	L	X	X	X	X	X	NOP (Maintain Power Down Mode)	
	L	H	L	L	X	X	X	Illegal	
L	H	L	H	L	X	X	Illegal		
Both Banks Idle	H	H	H	X	X	X	—	Refer to the Operation Command Table	
	H	H	L	H	X	X	—	Refer to the Operation Command Table	
	H	H	L	L	H	X	—	Refer to the Operation Command Table	
	H	H	L	L	L	H	X	Auto Refresh	
	H	H	L	L	L	L	SPECIAL MODE	Refer to the Operation Command Table	
	H	H	L	L	L	L	MODE	Refer to the Operation Command Table	
	H	L	H	X	X	X	—	Refer to the Operation Command Table	
	H	L	L	H	X	X	—	Refer to the Operation Command Table	
	H	L	L	L	H	X	—	Refer to the Operation Command Table	
	H	L	L	L	L	H	X	Self Refresh	
	H	L	L	L	L	L	SPECIAL MODE	Refer to the Operation Command Table	
	H	L	L	L	L	L	MODE	Refer to the Operation Command Table	
L	X	X	X	X	X	X	Power Down		

## MB81117422E-125/-100/-84/-67

(Continued)

Current State	CKE <sub>n-1</sub>	CKE <sub>n</sub>	$\overline{CS}$	$\overline{RAS}$	$\overline{CAS}$	$\overline{WE}$	Addr	Function	Notes
Bank Active Bank Activating Read/Write	H	H	X	X	X	X	X	Refer to the Operation Command Table	
	H	L	X	X	X	X	X	Begin Clock Suspend Next Cycle	
	L	H	X	X	X	X	X	Exit Clock Suspend Next Cycle	
	L	L	X	X	X	X	X	Maintain Clock Suspend	
Clock Suspend	H	X	X	X	X	X	X	Invalid	
	L	H	X	X	X	X	X	Exit Clock Suspend Next Cycle	
	L	L	X	X	X	X	X	Maintain Clock Suspend	
Any State Other Than Listed Above	H	H	X	X	X	X	X	Refer to the Operation Command Table	
	H	L	X	X	X	X	X	Begin Clock Suspend Next Cycle	
	L	H	X	X	X	X	X	Exit Clock Suspend Next Cycle	
	L	L	X	X	X	X	X	Maintain Clock Suspend	

- Notes:**
- \*1. All entries assume the CKE was High during the proceeding clock cycle and the current clock cycle.
  - \*2. Illegal to bank in specified state; entry may be legal in the bank specified by BA, depending on the state of that bank.
  - \*3. Illegal if any bank is not idle.
  - \*4. Must satisfy bus contention, bus turn around, and/or write recovery requirements.
  - \*5. NOP to bank precharging or in idle state. May precharge bank specified by BA (and AP).
  - \*6.  $t_{RRD}$  must be satisfied for other bank.

# MB81117422E-125/-100/-84/-67

## ■ FUNCTIONAL DESCRIPTION

### SDRAM BASIC FUNCTION

Three major differences between this SDRAM and conventional DRAMs are: synchronized operation, burst mode, and mode register.

The **synchronized operation** is the fundamental difference. An SDRAM uses a clock input for the synchronization, where the DRAM is basically asynchronous memory although it has been using two clocks,  $\overline{RAS}$  and  $\overline{CAS}$ . Each operation of DRAM is determined by their timing phase differences while each operation of SDRAM is determined by commands and all operations are referenced to a positive clock edge. Fig. 3 shows the basic timing diagram differences between SDRAMs and DRAMs.

The **burst mode** is a very high speed access mode utilizing an internal column address generator. Once a column addresses for the first access is set, following addresses are automatically generated by the internal column address counter.

The **mode register** is to justify the SDRAM operation and function into desired system conditions. MODE REGISTER TABLE shows how SDRAM can be configured for system requirement by mode register programming.

### CLOCK (CLK) AND CLOCK ENABLE (CKE)

All input and output signals of SDRAM use register type buffers. A CLK is used as a trigger for the register and internal burst counter increment. All inputs are latched by a positive edge of CLK. All outputs are validated by the CLK. CKE is a high active clock enable signal. When CKE = Low is latched at a clock input during active cycle, the next clock will be internally masked. During idle state (all banks have been precharged), the Power Down mode(standby) is entered with CKE = Low and this will make extremely low standby current.

### CHIP SELECT ( $\overline{CS}$ )

$\overline{CS}$  enables all commands inputs,  $\overline{RAS}$ ,  $\overline{CAS}$ , and  $\overline{WE}$ , and address input. When  $\overline{CS}$  is High, command signals are negated but internal operation such as burst cycle will not be suspended. If such a control isn't needed,  $\overline{CS}$  can be tied to ground level.

### COMMAND INPUTS ( $\overline{RAS}$ , $\overline{CAS}$ AND $\overline{WE}$ )

Unlike a conventional DRAM,  $\overline{RAS}$ ,  $\overline{CAS}$ , and  $\overline{WE}$  do not directly imply SDRAM operation, such as Row address strobe by  $\overline{RAS}$ . Instead, each combination of  $\overline{RAS}$ ,  $\overline{CAS}$ , and  $\overline{WE}$  input in conjunction with  $\overline{CS}$  input at a rising edge of the CLK determines SDRAM operation. Refer to FUNCTION TRUTH TABLE in page 5.

### ADDRESS INPUTS ( $A_0$ to $A_{10}$ )

Address input selects an arbitrary location of a total of 2,097,152 words of each memory cell matrix. A total of twenty address input signals are required to decode such a matrix. SDRAM adopts an address multiplexer in order to reduce the pin count of the address line. At a Bank Active command (ACTV), eleven Row addresses are initially latched and the remainder of ten column addresses are then latched by a column address strobe command of either a Read command (READ or READA) or Write command (WRIT or WRITA).

### BANK SELECT ( $A_{11}$ )

This SDRAM has two banks and each bank is organized as 2 M words by 4-bit.

Bank selection by  $A_{11}$  occurs at Bank Active command (ACTV) followed by Read (READ or READA), Write (WRIT or WRITA), and Precharge command (PRE).



# MB81117422E-125/-100/-84/-67

## DATA INPUTS AND OUTPUTS (DQ<sub>0</sub> to DQ<sub>3</sub>)

Input data is latched and written into the memory at the clock following the Write command input. Data output is obtained by the following conditions followed by a Read command input:

**t<sub>RAC</sub>** : from the bank Active command when t<sub>RCD</sub> (min) is satisfied. (This parameter is reference only.)

**t<sub>CAC</sub>** : from the Read command when t<sub>RCD</sub> is greater than t<sub>RCD</sub> (min).

**t<sub>AC</sub>** : from the clock edge after t<sub>RAC</sub> and t<sub>CAC</sub>.

The polarity of the output data is identical to that of the input. Data is valid between access time (determined by the three conditions above) and the next positive clock edge (t<sub>OH</sub>).

## DATA I/O MASK (DQM)

DQM is an active high enable input and has an output disable and input mask function. During burst cycle and when DQM = High is latched by a clock, input is masked at the same clock and output will be masked at the second clock later while internal burst counter will increment by one or will go to the next stage depending on burst type.

## BURST MODE OPERATION AND BURST TYPE

The burst mode provides faster memory access. The burst mode is implemented by keeping the same Row address and by automatic strobing column address. Access time and cycle time of Burst mode is specified as t<sub>AC</sub> and t<sub>CK</sub>, respectively. The internal column address counter operation is determined by a mode register which defines burst type and burst count length of 1,2 or 4 bits of boundary. In order to terminate or to move from the current burst mode to the next stage while the remaining burst count is more than 1, the following combinations will be required:

Current Stage	Next Stage	Method (Assert the following command)	
Burst Read	Burst Read	Read Command	
Burst Read	Burst Write	1st Step	Mask Command (Normally 3 clock cycles)
		2nd Step	Write Command after lowD
Burst Write	Burst Write	Write Command	
Burst Write	Burst Read	Read Command	
Burst Read	Precharge	Precharge Command	
Burst Write	Precharge	Precharge Command	

The burst type can be selected either sequential or interleave mode if burst length is 2 or 4. The sequential mode is an incremental decoding scheme within a boundary address to be determined by count length, it assigns +1 to the previous (or initial) address until reaching the end of boundary address and then wraps round to least significant address(=0). The interleave mode is a scrambled decoding scheme for A<sub>0</sub> and A<sub>2</sub>. If the first access of column address is even (0), the next address will be odd (1), or vice-versa.

# MB81117422E-125/-100/-84/-67

## BURST MODE OPERATION AND BURST TYPE (continued)

When the full burst operation is executed at single write mode, Auto-precharge command is valid only at write operation.

The burst type can be selected either sequential or interleave mode. But only the sequential mode is usable to the full column burst. The sequential mode is an incremental decoding scheme within a boundary address to be determined by burst length, it assigns +1 to the previous (or initial) address until reaching the end of boundary address and then wraps round to least significant address(=0).

Burst Length	Stating Column Address			Sequential Mode	Interleave
	A <sub>2</sub>	A <sub>1</sub>	A <sub>0</sub>		
2	X	X	0	0 - 1	0 - 1
	X	X	1	1 - 0	1 - 0
4	X	0	0	0 - 1 - 2 - 3	0 - 1 - 2 - 3
	X	0	1	1 - 2 - 3 - 0	1 - 0 - 3 - 2
	X	1	0	2 - 3 - 0 - 1	2 - 3 - 0 - 1
	X	1	1	3 - 0 - 1 - 2	3 - 2 - 1 - 0
8	0	0	0	0 - 1 - 2 - 3 - 4 - 5 - 6 - 7	0 - 1 - 2 - 3 - 4 - 5 - 6 - 7
	0	0	1	1 - 2 - 3 - 4 - 5 - 6 - 7 - 0	1 - 0 - 3 - 2 - 5 - 4 - 7 - 6
	0	1	0	2 - 3 - 4 - 5 - 6 - 7 - 0 - 1	2 - 3 - 0 - 1 - 6 - 7 - 4 - 5
	0	1	1	3 - 4 - 5 - 6 - 7 - 0 - 1 - 2	3 - 2 - 1 - 0 - 7 - 6 - 5 - 4
	1	0	0	4 - 5 - 6 - 7 - 0 - 1 - 2 - 3	4 - 5 - 6 - 7 - 0 - 1 - 2 - 3
	1	0	1	5 - 6 - 7 - 0 - 1 - 2 - 3 - 4	5 - 4 - 7 - 6 - 1 - 0 - 3 - 2
	1	1	0	6 - 7 - 0 - 1 - 2 - 3 - 4 - 5	6 - 7 - 4 - 5 - 2 - 3 - 0 - 1
	1	1	1	7 - 0 - 1 - 2 - 3 - 4 - 5 - 6	7 - 6 - 5 - 4 - 3 - 2 - 1 - 0

## FULL COLUMN BURST AND BURST STOP COMMAND (BST)

The full column burst is an option of burst length and available only at sequential mode of burst type. This full column burst mode is repeatedly access to the same column. If burst mode reaches end of column address, then it wraps round to first column address (=0) and continues to count until interrupted by the news Read (READ) /Write (WRIT/BWRIT), Precharge (PRE) , or Burst stop (BST) command. The selection of auto-precharge option is illegal during the full column burst operation except Write command at BURST READ & SINGLE WRITE mode.

The BST command is applicable to terminated the full column burst operation and illegal during the burst operation with length of 1, 2, 4, and 8. If the BST command is asserted during the full column burst mode, its operation is terminated immediately and the internal state moves to Bank Active.

When read mode is interrupted by BST command, the output will be in High-Z.

For the detail rule, please refer to TIMING DIAGRAM-8.

When write mode is interrupted by BST command, the data to be applied at the same time with BST command will be ignored.

## BURST READ & SINGLE WRITE

The burst read and single write mode provides single word write operation regardless of its burst length. In this mode, burst read operation does not be affected by this mode.

## PRECHARGE AND PRECHARGE OPTION (PRE, PALL)

SDRAM memory core is the same as conventional DRAMs', requiring precharge and refresh operations. Precharge rewrites the bit line and to reset the internal Row address line and is executed by the Precharge command (PRE). With the Precharge command, SDRAM will automatically be in standby state after precharge time ( $t_{RP}$ ).

The precharged bank is selected by combination of AP and  $A_{11}$  when Precharge command is asserted. If AP = High, both banks are precharged regardless of  $A_{11}$  (PALL). If AP = Low, a bank to be selected by  $A_{11}$  is precharged (PRE). The auto-precharge enters precharge mode at the end of burst mode of read or write without Precharge command assertion. This auto precharge is entered by AP=High when a Read or Write command is asserted. Refer to FUNCTION TRUTH TABLE.

## AUTO-REFRESH (REF)

Auto-refresh uses the internal refresh address counter. The SDRAM Auto-refresh command (REF) generates Precharge command internally. All banks of SDRAM should be precharged prior to the Auto-refresh command. The Auto-refresh command should also be asserted every 16  $\mu$ s or a total 2048 refresh commands within a 32.8 ms period.

## SELF-REFRESH ENTRY (SELF)

Self-refresh function provides automatic refresh by an internal timer as well as Auto-refresh and will continue the refresh function until cancelled by SELFX.

The Self-refresh is entered by applying an Auto-refresh command in conjunction with CKE = Low (SELF). Once SDRAM enters the Self-refresh mode, all inputs except for CKE will be "don't care" (either logic high or low level state) and outputs will be in a High-Z state. During a Self-refresh mode, CKE = Low should be maintained. SELF command should only be issued after last read data has been appeared on DQ.

## SELF-REFRESH EXIT (SELFX)

To exit Self-refresh mode, apply minimum 4 clock cycles before CKE brought high, and then the NOP command (NOP) or the Deselect command (DESL) should be asserted within one  $t_{RC}$  period. CKE should be held High within one  $t_{RC}$  period after  $t_{PDE}$ . Refer to Timing Diagram for the detail.

It is recommended to assert an Auto-refresh command just after the  $t_{RC}$  period to avoid the violation of refresh period.

## MODE REGISTER SET (MRS)

The mode register of SDRAM provides a variety of different operations. The register consists of four operation fields; Burst Length, Burst Type, CAS latency, and Operation Code. Refer to MODE REGISTER TABLE in page 32.

The mode register can be programmed by the Mode Register Set command (MRS). Each field is set by the address line. Once a mode register is programmed, the contents of the register will be held until re-programmed by another MRS command (or part loses power). MRS command should only be issued on condition that all DQ is in Hi-Z.

The condition of the mode register is undefined after the power-up stage. It is required to set each field after initialization of SDRAM. Refer to POWER-UP INITIALIZATION below.

## POWER-UP INITIALIZATION

The SDRAM internal condition after power-up will be undefined. It is required to follow the following Power On Sequence to execute read or write operation.

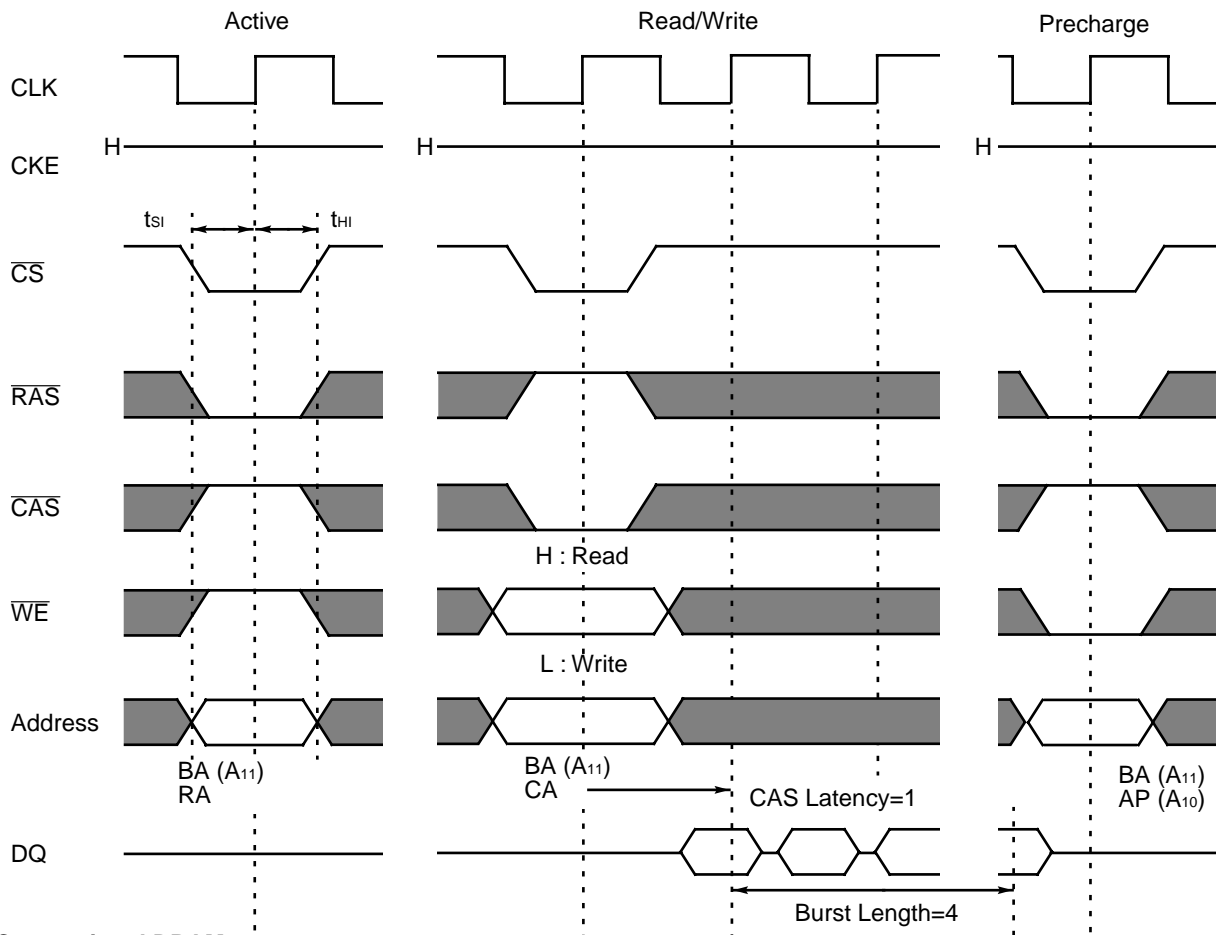
1. Apply power and start clock. Attempt to maintain either NOP or DESL command at the input.
2. Maintain stable power, stable clock, and NOP condition for a minimum of 200  $\mu$ s.
3. Precharge all banks by Precharge (PRE) or Precharge All command (PALL).
4. Assert minimum of 8 Auto-refresh command(REF).
5. Program the mode register by Mode Register Set command(MRS).

In addition, it is recommended DQM and CKE to track  $V_{CC}$  to insure that output is High-Z state. The Mode Register Set command (MRS) can be set before 8 Auto-refresh command (REF).

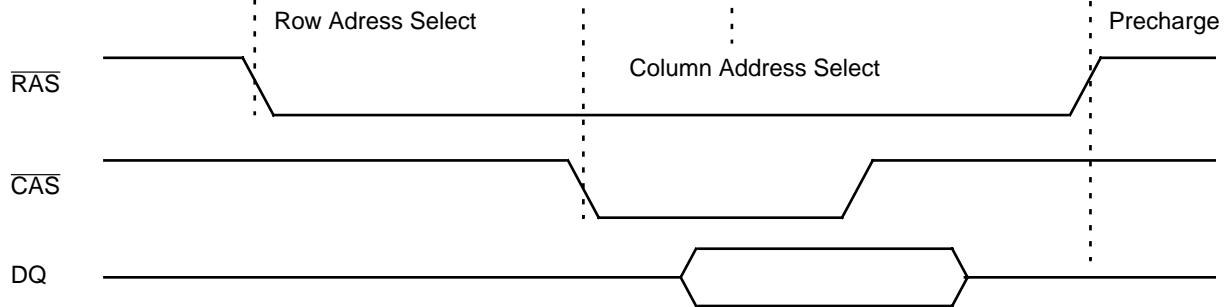
# MB81117422E-125/-100/-84/-67

**Fig. 2 – BASIC TIMING FOR CONVENTIONAL DRAM vs SYNCHRONOUS DYNAMIC RAM**

**<SDRAM>**



**<Conventional DRAM>**



## MB81117422E-125/-100/-84/-67

## CLOCK LATENCY OR DELAY TIME FOR 2 BANK OPERATION

Second command (opposite bank) First command	MRS	ACTV	READ	READ A	WRT	WRITA	PRE	PALL	REF	SELF
MRS	IMRD	IMRD							IMRD	IMRD
ACTV		<sup>*1</sup> tRRD	<sup>*2</sup> 1	<sup>*2</sup> 1	<sup>*2</sup> 1	<sup>*2</sup> 1	1	tRAS		
READ		<sup>*1</sup> 1	<sup>*2</sup> 1	<sup>*2</sup> 1	<sup>*2</sup> <sup>*3</sup> 1	<sup>*2</sup> <sup>*3</sup> 1	1	1		
READA		<sup>*1</sup> 1	<sup>*2</sup> 1	<sup>*2</sup> 1	<sup>*2</sup> <sup>*3</sup> 1	<sup>*2</sup> <sup>*3</sup> 1	1	1	<sup>*1</sup> <sup>*4</sup> BL + tRP	<sup>*1</sup> <sup>*4</sup> BL + tRP
WRIT		<sup>*1</sup> 1	<sup>*2</sup> 1	<sup>*2</sup> 1	<sup>*2</sup> 1	<sup>*2</sup> 1	1	1		
WRITA		<sup>*1</sup> 1	<sup>*2</sup> 1	<sup>*2</sup> 1	<sup>*2</sup> 1	<sup>*2</sup> 1	1	1	<sup>*1</sup> BL + 1 + tRP	<sup>*1</sup> BL + 1 + tRP
PRE	<sup>*1</sup> tRP	<sup>*1</sup> 1	<sup>*2</sup> 1	<sup>*2</sup> 1	<sup>*2</sup> 1	<sup>*2</sup> 1	1	1	<sup>*1</sup> tRP	<sup>*1</sup> tRP
PALL <sup>*5</sup>	tRP	<sup>*1</sup> 1					1	1	<sup>*1</sup> <sup>*6</sup> tRP	<sup>*1</sup> <sup>*6</sup> tRP
REF	tRC	tRC							tRRD	tRC
SELF	tPDE + tRC	tPDE + tRC							tPDE + tRC	tPDE + tRC

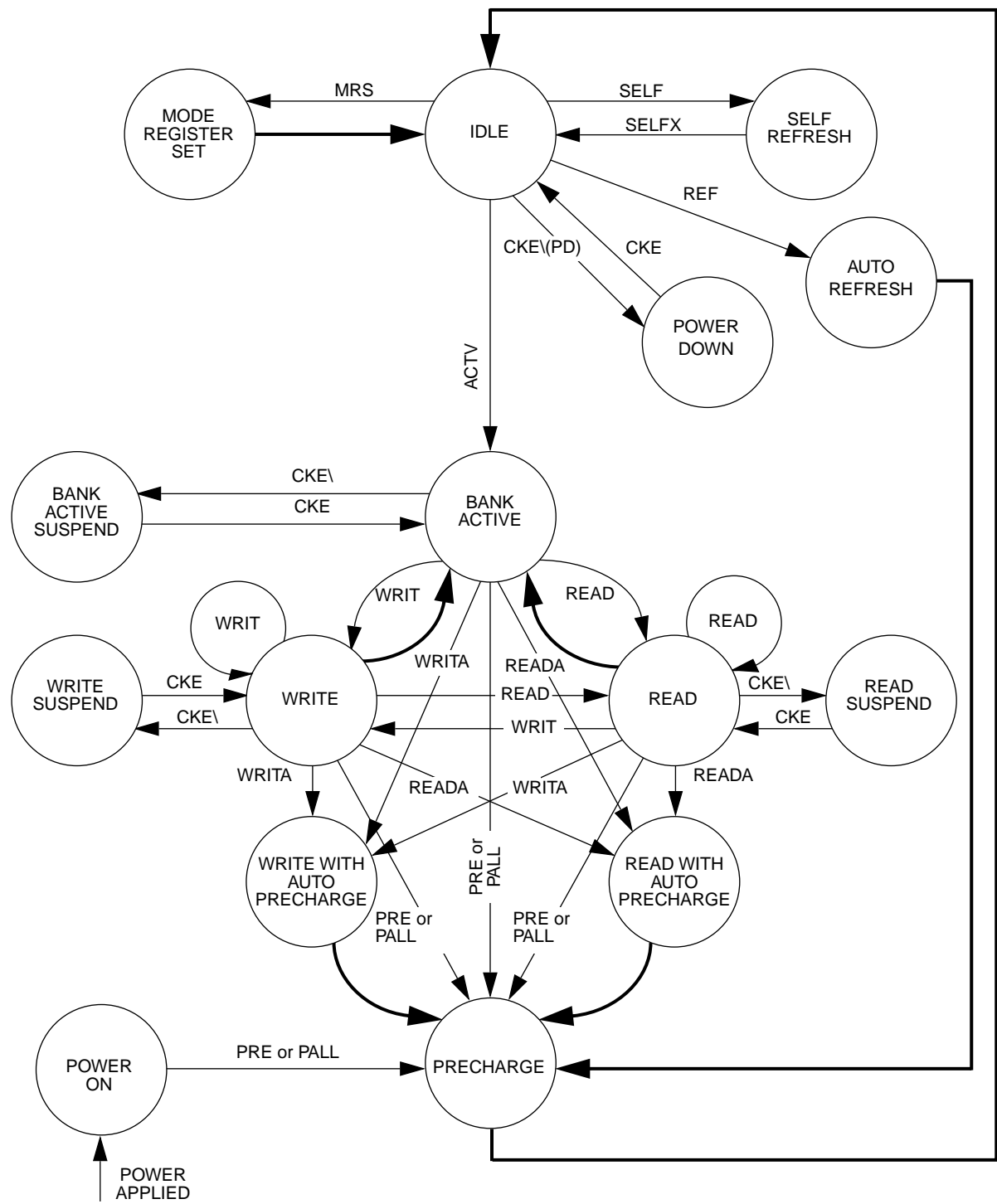
- Notes:**
- \*1. Assume opposite bank is in idle state.
  - \*2. Assume opposite bank is in active state.
  - \*3. Assume no I/O conflict.
  - \*4. If  $t_{RP} \leftarrow t_{CK}$ , minimum latency is a sum of BL + CL.
  - \*5. Assume PALL command dose not affect any operation on opposite bank.
  - \*6. Assume Output is in High-Z state.



Illegal Command

# MB81117422E-125/-100/-84/-67

Fig. 3 – STATE DIAGRAM (Simplified State Diagram)



DEFINITION OF ALLOWS

Manual Input
  Automatic Sequence

# MB81117422E-125/-100/-84/-67

## ■ ABSOLUTE MAXIMUM RATINGS (See WARNING)

Parameter	Symbol	Value	Unit
Voltage of V <sub>CC</sub> Supply Relative to V <sub>SS</sub>	V <sub>CC</sub> , V <sub>CCQ</sub>	-0.5 to +4.6	V
Voltage at Any Pin Relative to V <sub>SS</sub>	V <sub>IN</sub> , V <sub>OUT</sub>	-0.5 to +4.6	V
Short Circuit Output Current	I <sub>OUT</sub>	±50	mA
Power Dissipation	P <sub>D</sub>	1.3	W
Storage Temperature	T <sub>STG</sub>	-55 to +125	°C

**WARNING:** Semiconductor devices can be permanently damaged by application of stress (voltage, current, temperature, etc.) in excess of absolute maximum ratings. Do not exceed these ratings.

## ■ RECOMMENDED OPERATING CONDITIONS

(Referenced to V<sub>SS</sub>)

Parameter	Notes	Symbol	Min.	Typ.	Max.	Unit
Supply Voltage		V <sub>CC</sub> , V <sub>CCQ</sub>	3.0	3.3	3.6	V
		V <sub>SS</sub> , V <sub>SSQ</sub>	0	0	0	V
Input High Voltage	*1	V <sub>IH</sub>	2.0	—	V <sub>CC</sub> + 0.5	V
Input Low Voltage	*2	V <sub>IL</sub>	-0.5	—	0.8	V
Ambient Temperature		T <sub>A</sub>	0	—	70	°C

**Notes:** \*1. Overshoot limit : V<sub>IH</sub>(max)= TBD.

\*2. Undershoot limit : V<sub>IL</sub>(min)= -1.5 V with a pullsewidth ≤ 5 ns.

**WARNING:** Recommended operating conditions are normal operating ranges for the semiconductor device. All the device's electrical characteristics are warranted when operated within these ranges.

Always use semiconductor devices within the recommended operating conditions. Operation outside these ranges may adversely affect reliability and could result in device failure.

No warranty is made with respect to uses, operating conditions, or combinations not represented on the data sheet. Users considering application outside the listed conditions are advised to contact their FUJITSU representative beforehand.

## ■ CAPACITANCE

(T<sub>A</sub> = 25°C, f = 1 MHz)

Parameter	Symbol	Typ.	Max.	Unit
Input Capacitance, Address	C <sub>IN1</sub>	—	4	pF
Input Capacitance, Except for address	C <sub>IN2</sub>	—	4	pF
I/O Capacitance	C <sub>I/O</sub>	—	7	pF

# MB81117422E-125/-100/-84/-67

## ■ DC CHARACTERISTICS

(At recommended operating conditions unless otherwise noted.) Notes 1, 2

Parameter		Symbol	Conditions	Value		Unit
				Min.	Max.	
Output High Voltage		$V_{OH(DC)}$	$I_{OH} = -2 \text{ mA}$	2.4	—	V
Output Low Voltage		$V_{OL(DC)}$	$I_{OL} = 2 \text{ mA}$	—	0.4	V
Input Leakage Current (Any Input)		$I_{LI}$	$0 \text{ V} \leq V_{IN} \leq V_{CC}$ ; All other pins not under test = 0 V	-10	10	$\mu\text{A}$
Output Leakage Current		$I_{LO}$	$0 \text{ V} \leq V_{IN} \leq V_{CC}$ ; Data out disabled	-10	10	$\mu\text{A}$
Operating Current (Average Power Supply Current)	MB81117422E-125	$I_{CC1S}$	No Burst: $t_{CK} = \text{min}$ $t_{RC} = \text{min}$ One bank active $0 \text{ V} \leq V_{IN} \leq V_{CC}$	—	90	mA
	MB81117422E-100				85	
	MB81117422E-84				80	
	MB81117422E-67				75	
	MB81117422E-125	$I_{CC1D}$	No Burst: $t_{CK} = \text{min}$ $t_{RC} = \text{min}$ All banks active $0 \text{ V} \leq V_{IN} \leq V_{CC}$	—	140	mA
	MB81117422E-100				130	
	MB81117422E-84				120	
	MB81117422E-67				110	
Precharge Standby Current (Power Supply Current)		$I_{CC2P}$	CKE = $V_{IL}$ All banks idle $t_{CK} = \text{min}$ Power down mode $0 \text{ V} \leq V_{IN} \leq V_{CC}$	—	2	mA
		$I_{CC2N}$	CKE = $V_{IH}$ All banks idle $t_{CK} = \text{min}$ $0 \text{ V} \leq V_{IN} \leq V_{CC}$	—	30	
Active Standby Current (Power Supply Current)		$I_{CC3P}$	CKE = $V_{IL}$ Any bank active $t_{CK} = \text{min}$ $0 \text{ V} \leq V_{IN} \leq V_{CC}$	—	30	mA
		$I_{CC3N}$	CKE = $V_{IH}$ Any bank active $t_{CK} = \text{min}$ $0 \text{ V} \leq V_{IN} \leq V_{CC}$	—	50	
Burst Mode Current (Average Power Supply Current)	MB81117422E-125	$I_{CC4}$	$t_{CK} = \text{min}$ $0 \text{ V} \leq V_{IN} \leq V_{CC}$	—	150	mA
	MB81117422E-100				135	
	MB81117422E-84				125	
	MB81117422E-67				115	

(Continued)



## MB81117422E-125/-100/-84/-67

(Continued)

Parameter		Symbol	Conditions	Value		Unit
				Min.	Max.	
Refresh Current #1 (Average Power Supply Current)	MB81117422E-125	I <sub>CC5</sub>	Auto Refresh; t <sub>CK</sub> = min t <sub>RC</sub> = min t <sub>RRD</sub> = min 0 V ≤ V <sub>IN</sub> ≤ V <sub>CC</sub>	—	120	mA
	MB81117422E-100				110	
	MB81117422E-84				100	
	MB81117422E-67				90	
Refresh Current #2 (Average Power Supply Current)		I <sub>CC6</sub>	Self Refresh; CKE = V <sub>IL</sub> 0 V ≤ V <sub>IN</sub> ≤ V <sub>CC</sub>	—	2	mA

# MB81117422E-125/-100/-84/-67

## ■ AC CHARACTERISTICS

(At recommended operating conditions unless otherwise noted.) Notes 2, 3, 4

Parameter	Notes	Symbol	MB81117422E -125		MB81117422E -100		MB81117422E -84		MB81117422E -67		Unit
			Min.	Max.	Min.	Max.	Min.	Max.	Min.	Max.	
Clock Period	CAS latency=2	t <sub>CK</sub>	12	—	15	—	17	—	20	—	ns
	CAS latency=3		8	—	10	—	12	—	15	—	ns
Clock High Time		t <sub>CH</sub>	3.5	—	4	—	4	—	4	—	ns
Clock Low Time		t <sub>CL</sub>	3.5	—	4	—	4	—	4	—	ns
Input Set Up Time		t <sub>SI</sub>	3	—	3	—	3	—	3	—	ns
Input Hold Time		t <sub>HI</sub>	1	—	1	—	1	—	1	—	ns
Access Time from Clock (t <sub>CK</sub> =min) *5,6	CAS latency=2	t <sub>AC</sub>	—	9	—	9	—	9	—	10	ns
	CAS latency=3		—	7.5	—	8.5	—	8.5	—	9	ns
Output in Low-Z		t <sub>OLZ</sub>	2	—	3	—	3	—	3	—	ns
Output in High-Z	*7	t <sub>OHZ</sub>	2	—	3	—	3	—	3	—	ns
Output Hold Time		t <sub>OH</sub>	2	—	3	—	3	—	3	—	ns
Time between Refresh		t <sub>REF</sub>	—	32.8	—	32.8	—	32.8	—	32.8	ms
Transition Time		t <sub>T</sub>	0.5	2	0.5	2	0.5	2	0.5	2	ns
Power Down Exit Time		t <sub>PDE</sub>	3	—	3	—	4	—	5	—	ns

# MB81117422E-125/-100/-84/-67

## BASE VALUES FOR CLOCK COUNT/LATENCY

Parameter	Notes	Symbol	MB81117422E-125		MB81117422E-100		MB81117422E-84		MB81117422E-67		Unit
			Min.	Max.	Min.	Max.	Min.	Max.	Min.	Max.	
RAS Cycle Time	*8	t <sub>RC</sub>	75	—	90	—	100	—	110	—	ns
RAS Access Time	*9	t <sub>RAC</sub>	—	45	—	54	—	56	—	60	ns
CAS Access Time	*10,13	t <sub>CAC</sub>	—	21	—	24	—	26	—	30	ns
RAS Precharge Time		t <sub>RP</sub>	27	—	30	—	35	—	40	—	ns
RAS Active Time		t <sub>RAS</sub>	48	10000 0	60	10000 0	65	10000 0	70	10000 0	ns
RAS to CAS Delay Time	*11	t <sub>RCD</sub>	24	—	30	—	30	—	30	—	ns
Write Recovery Time		t <sub>WR</sub>	8	—	10	—	12	—	15	—	ns
Write to Precharge Delay Time		t <sub>RWL</sub>	8	—	10	—	12	—	15	—	ns
RAS to RAS Bank Active Delay Time		t <sub>RRD</sub>	24	—	30	—	30	—	30	—	ns

## CLOCK COUNT FORMULA Note13

$$\text{Clock} \geq \frac{\text{Base Value}}{\text{Clock Period}} \quad (\text{Round off a whole number})$$

# MB81117422E-125/-100/-84/-67

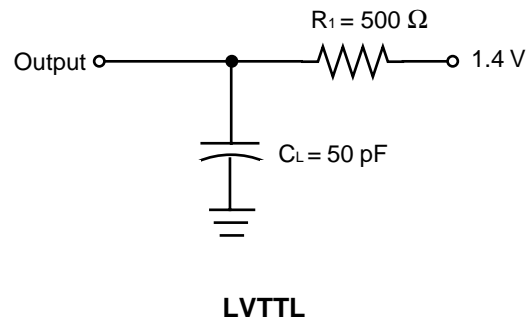
## LATENCY-FIXED VALUES

(The latency values on these parameters are fixed regardless of clock period.)

Parameter	Notes	Symbol	MB81117422E -125	MB81117422E -100	MB81117422E -84	MB81117422E -67	Unit
CKE to Clock Disable		I <sub>CKE</sub>	1	1	1	1	cycle
DQM to Output in High-Z		I <sub>DQZ</sub>	2	2	2	2	cycle
DQM to Input Data Delay		I <sub>DQD</sub>	0	0	0	0	cycle
Last Output to Write Command Delay		I <sub>OWD</sub>	2	2	2	2	cycle
Write Command to Input Data Delay		I <sub>DWD</sub>	0	0	0	0	cycle
Precharge to Output in High-Z Delay	CL = 2	I <sub>ROH</sub>	2	2	2	2	cycle
	CL = 3		3	3	3	3	cycle
Burst Stop Command to Output in High-Z Delay	CL = 2	I <sub>BSh</sub>	2	2	2	2	cycle
	CL = 3		3	3	3	3	cycle
Mode Register Access to Banks Active		I <sub>MRD</sub>	2	2	2	2	cycle
CAS to $\overline{\text{CAS}}$ Delay (min)		I <sub>CCD</sub>	1	1	1	1	cycle
CAS Bank Delay (min)		I <sub>CBd</sub>	1	1	1	1	cycle

- Notes:**
- \*1. I<sub>CC</sub> depends on the output termination or load conditions, clock cycle rate, and signal clocking rate; The specified values are obtained with the output open and no termination register.
  - \*2. An initial pause (DESL or NOP) of 200  $\mu\text{s}$  is required after power-up followed by a minimum of eight Auto-refresh cycles.
  - \*3. AC characteristics assume  $t_r = 1 \text{ ns}$  and 30 pF of capacitive load.
  - \*4. 1.4V is the reference level for measuring timing of input signals. Transition times are measured between V<sub>IH</sub> (min) and V<sub>IL</sub> (max).
  - \*5. Assumes  $t_{\text{RCD}}$  and  $t_{\text{CAC}}$  are satisfied.
  - \*6.  $t_{\text{AC}}$  also specifies the access time at burst mode except for first access.
  - \*7. Specified where output buffer is no longer driven.
  - \*8. Actual clock count of  $t_{\text{RC}}$  (I<sub>RC</sub>) will be sum of clock count of  $t_{\text{RAS}}$  (I<sub>RAS</sub>) and  $t_{\text{RP}}$  (I<sub>RP</sub>).
  - \*9.  $t_{\text{RAC}}$  is a reference value. Maximum value is obtained from the sum of  $t_{\text{RCD}}$  (min) and  $t_{\text{CAC}}$  (max).
  - \*10. Assumes  $t_{\text{RAC}}$  and  $t_{\text{AC}}$  are satisfied.
  - \*11. Operation within the  $t_{\text{RCD}}$  (min) ensures that  $t_{\text{RAC}}$  can be met; if  $t_{\text{RCD}}$  is greater than the specified  $t_{\text{RCD}}$  (min), access time is determined by  $t_{\text{CAC}}$  or  $t_{\text{AC}}$ .
  - \*12. All base values are measured from the clock edge at the command input to the clock edge for the next command input. All clock counts are calculated by a simple formula: clock count equals base value divided by clock period (round off to a whole number).
  - \*13. The  $t_{\text{CAC}}$  is programmed by the mode register.

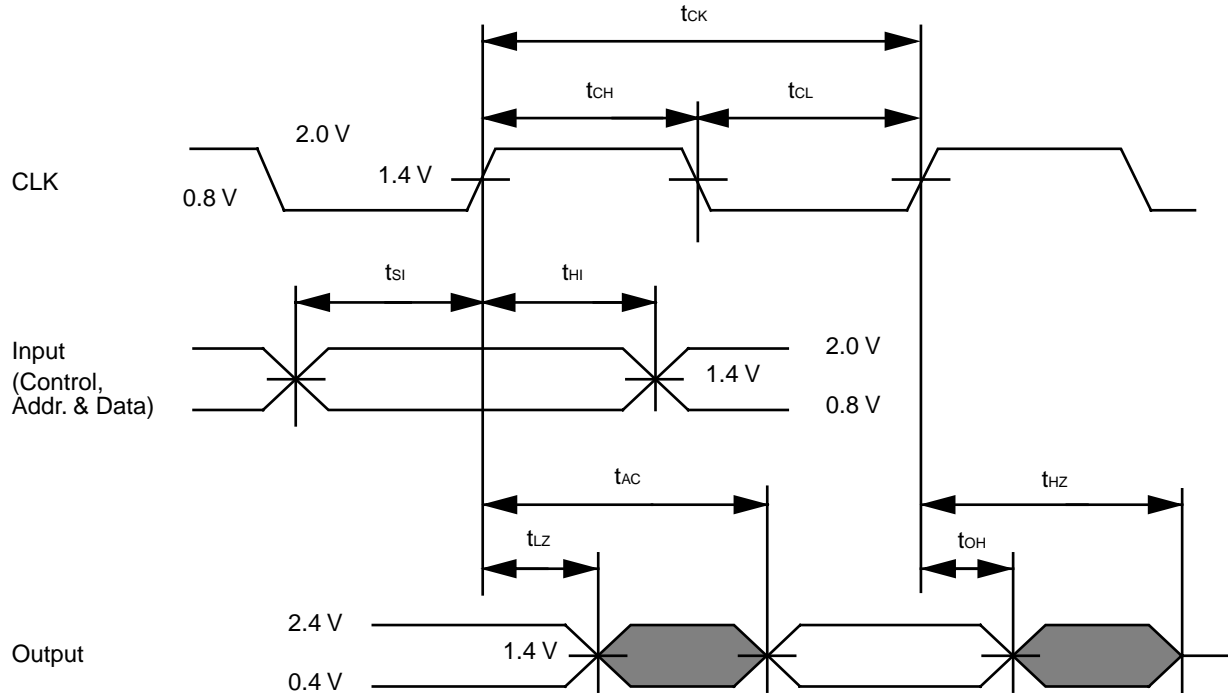
Fig. 4 – EXAMPLE OF AC TEST LOAD CIRCUIT



**Note:** AC characteristics are measured in this condition. This load circuits are not applicable for  $V_{OH}$  and  $V_{OL}$ .

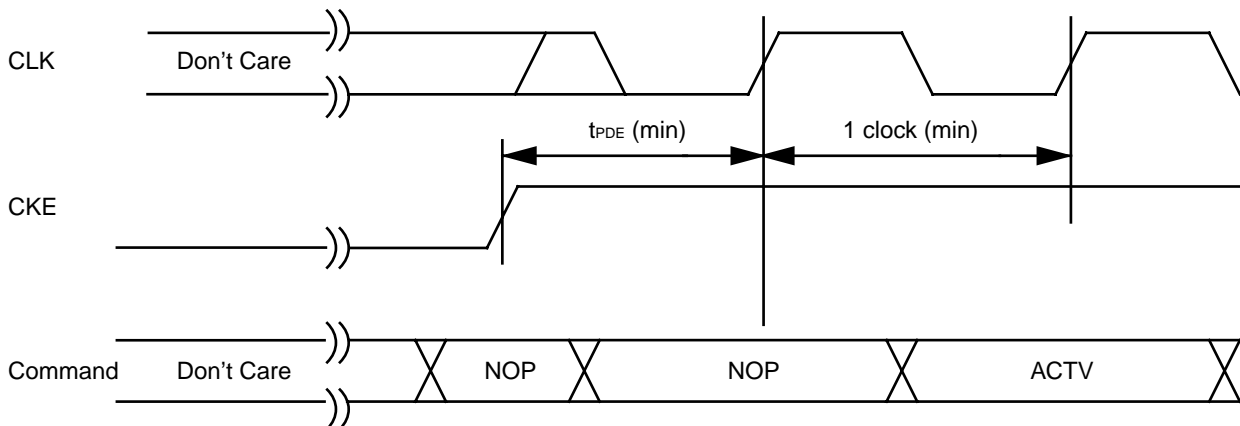
# MB81117422E-125/-100/-84/-67

Fig. 5 – TIMING DIAGRAM, SET UP, HOLD AND DELAY TIME



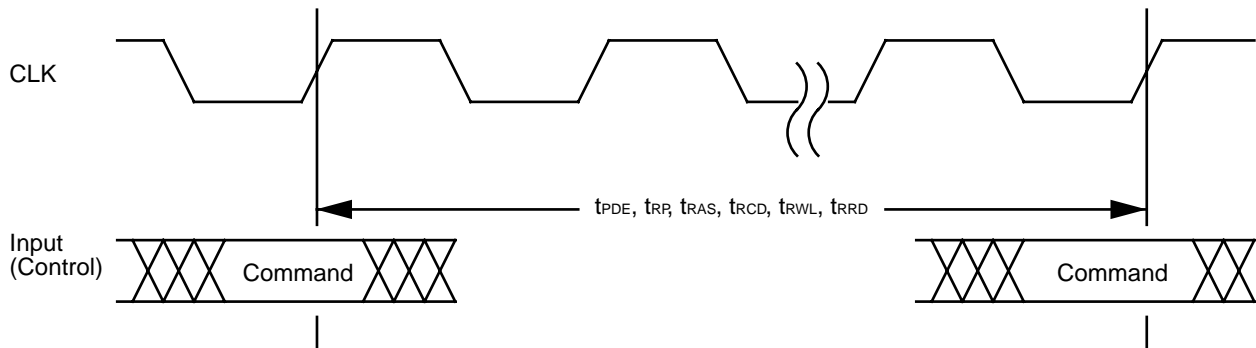
**Note:** Reference level of input signal is 1.4 V for LVTTTL.  
Access time is measured at 1.4 V for LVTTTL.

Fig. 6 – TIMING DIAGRAM, DELAY TIME FOR POWER DOWN EXIT



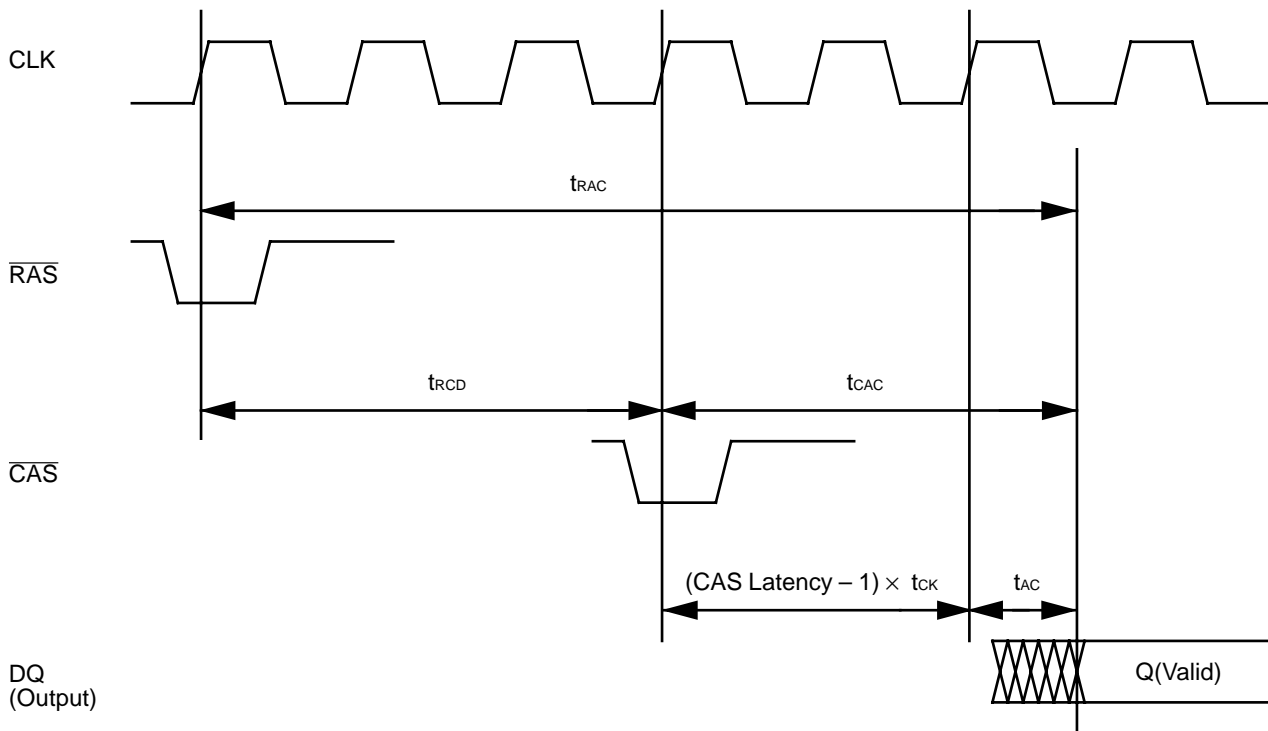
# MB81117422E-125/-100/-84/-67

Fig. 7 – TIMING DIAGRAM, PULSE WIDTH



**Note:** This parameter is a limit value of the rising edge of the clock from one command input to next input.  
 $t_{PDE}$  is the latency value from the rising edge of CKE.  
 Measurement reference voltage is 1.4 V.

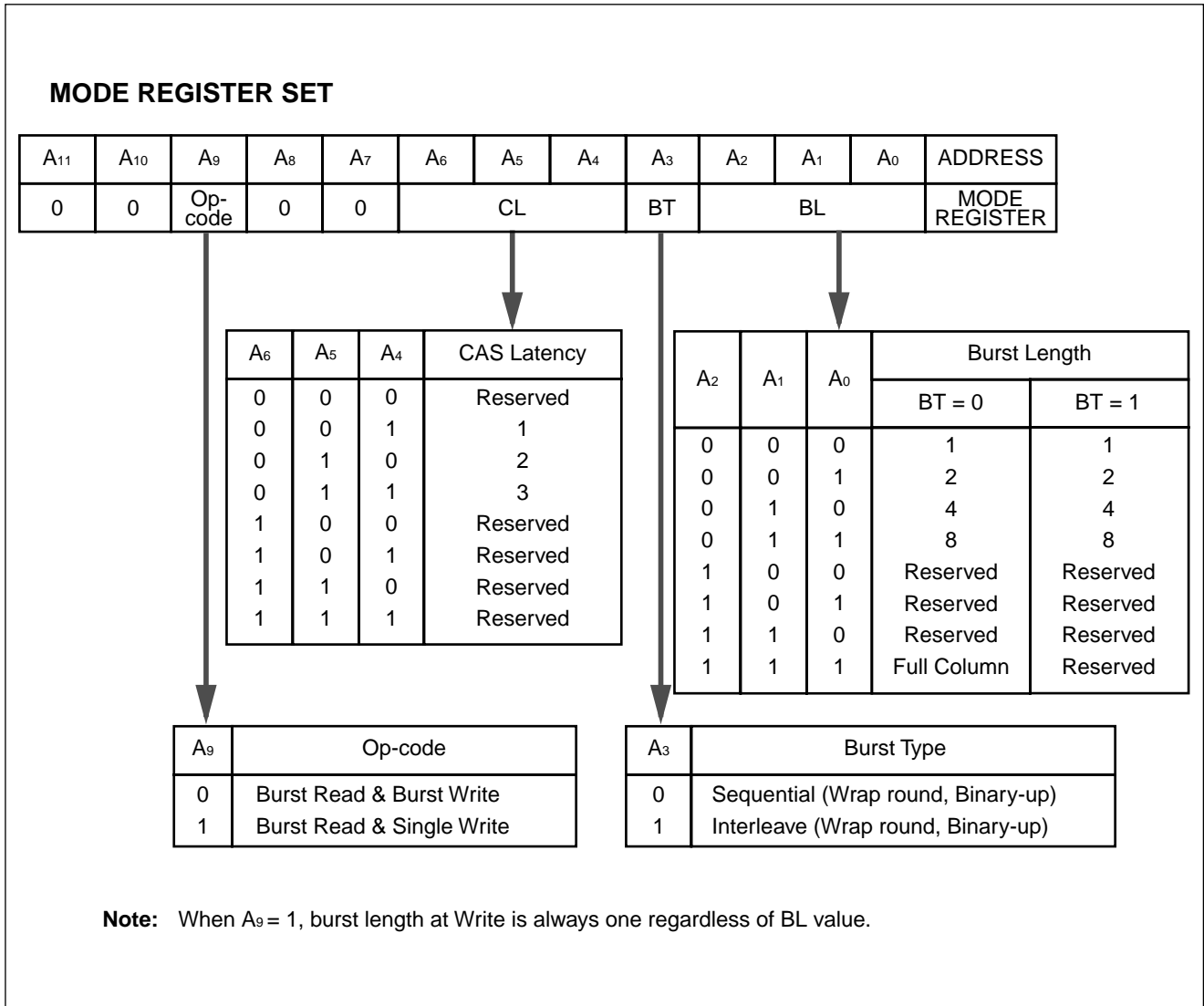
Fig. 8 – TIMING DIAGRAM, ACCESS TIME



**Note:**  $t_{RAC}$  is a reference value. Data can be obtained after both  $t_{CAC}$  and  $t_{AC}$  are satisfied.

# MB81117422E-125/-100/-84/-67

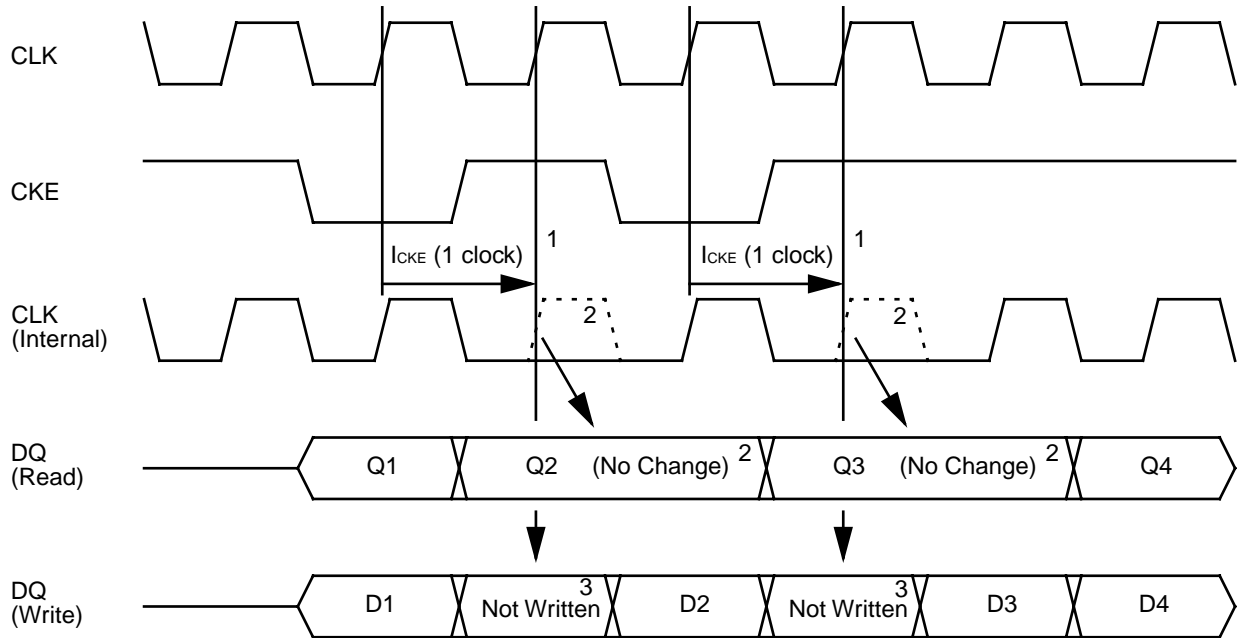
## MODE REGISTER TABLE





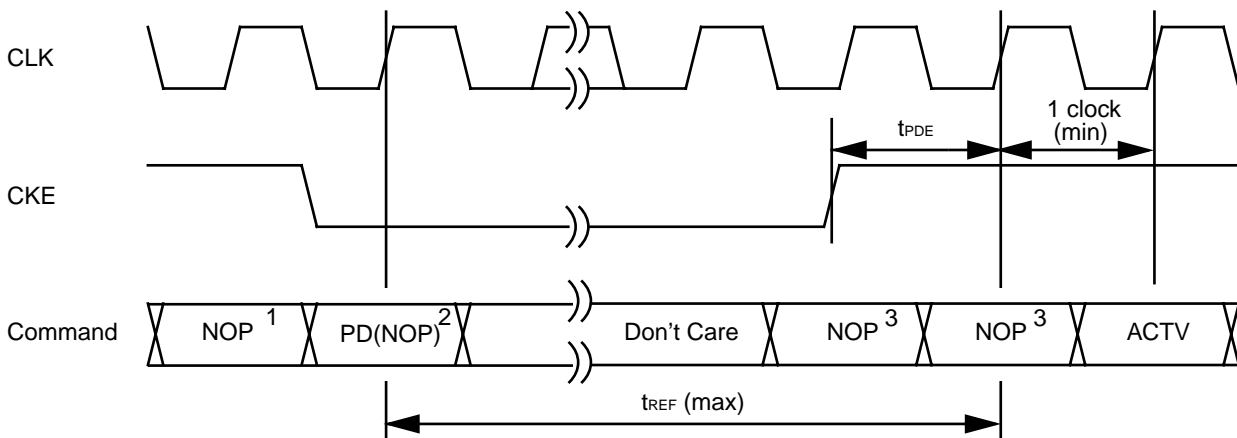
## MB81117422E-125/-100/-84/-67

TIMING DIAGRAM - 1 : CLOCK ENABLE - READ AND WRITE SUSPEND (@ BL = 4)



- Notes:**
1. The latency of CKE ( $t_{CKE}$ ) is one clock.
  2. During read mode, burst counter will not be incremented/decremented at the next clock of CSUS command. Output remain the same data.
  3. During the write mode, data at the next clock of CSUS command is ignored.

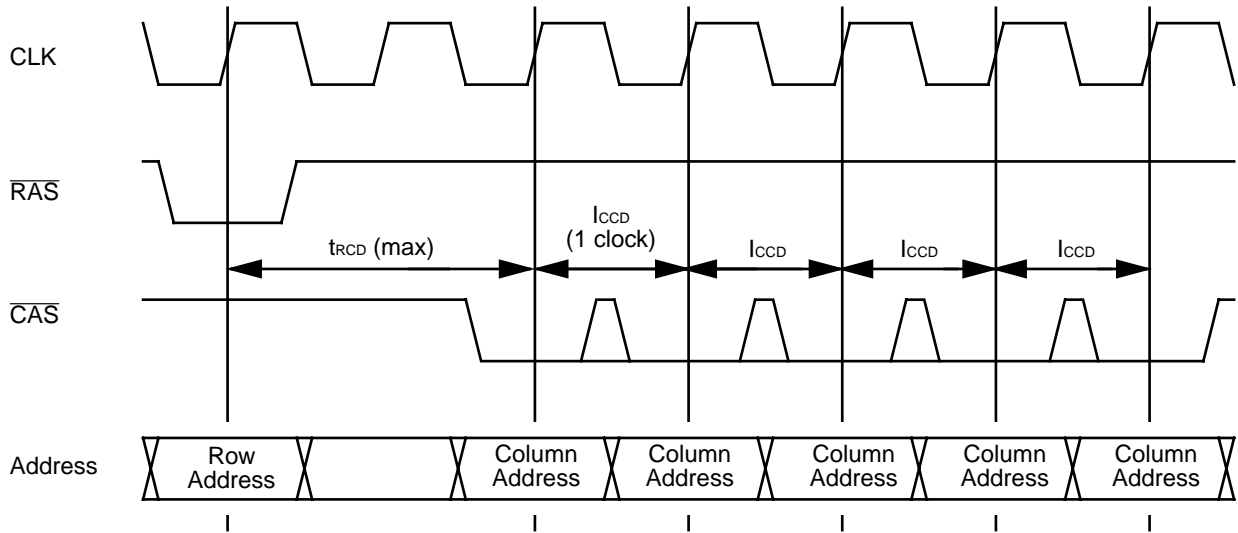
TIMING DIAGRAM - 2 : CLOCK ENABLE - POWER DOWN ENTRY AND EXIT



- Notes:**
1. Precharge command (PRE or PALL) should be asserted if any bank is active and in the burst mode.
  2. Precharge command can be posted in conjunction with CKE when burst mode is ended at this clock.
  3. The ACTV command can be latched after  $t_{PDE}(\text{min}) + 1\text{clock}(\text{min})$ . It is recommended to apply NOP command in conjunction with CKE. It is also recommended to apply minimum of 4 clocks to stabilize external clock prior to ACTV command.

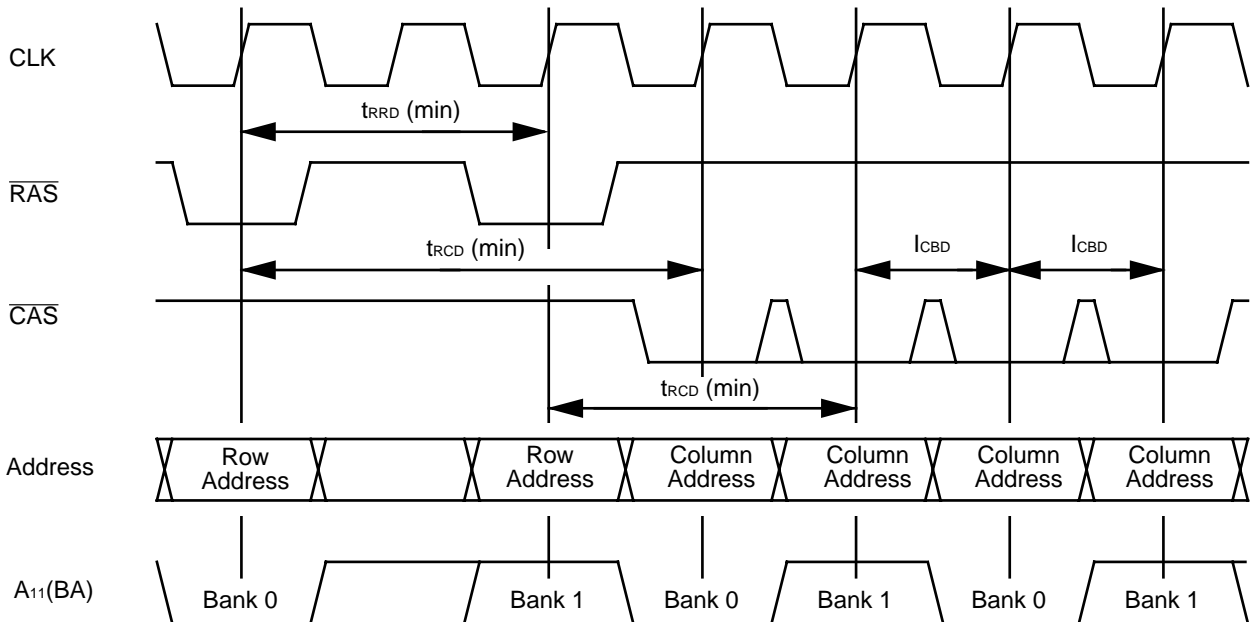
# MB81117422E-125/-100/-84/-67

**TIMING DIAGRAM - 3 : COLUMN ADDRESS TO COLUMN ADDRESS INPUT DELAY**



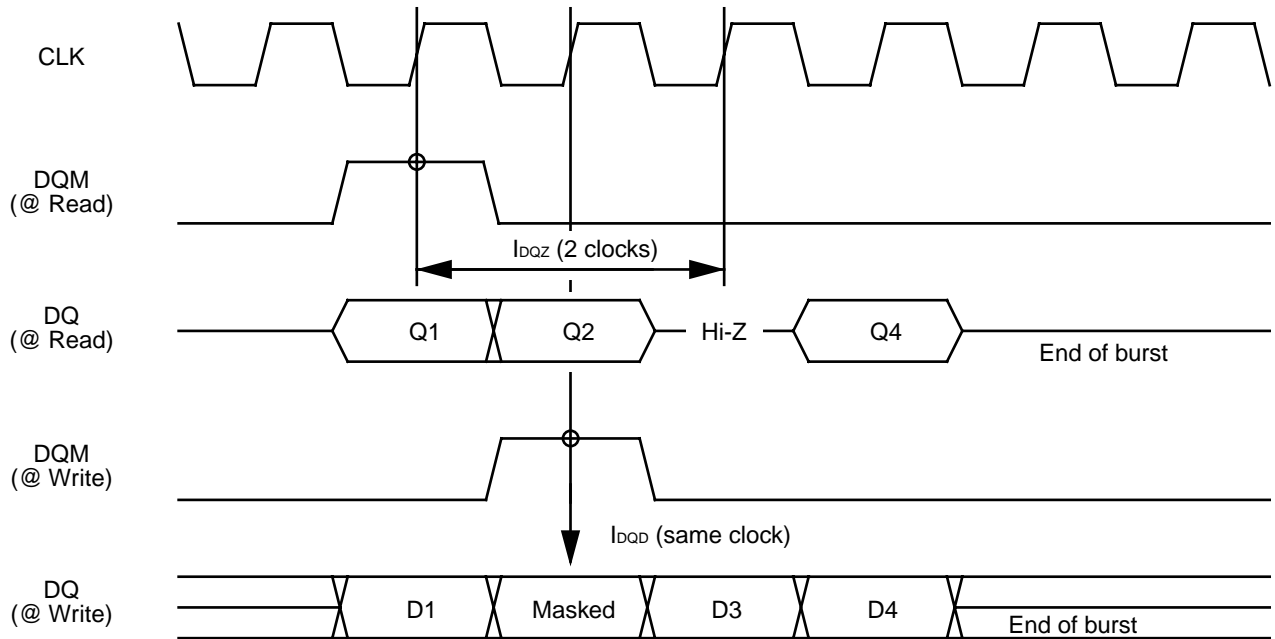
**Note:**  $\overline{CAS}$  to  $\overline{CAS}$  address delay can be one or more clock period.

**TIMING DIAGRAM - 4 : DIFFERENT BANK ADDRESS INPUT DELAY**

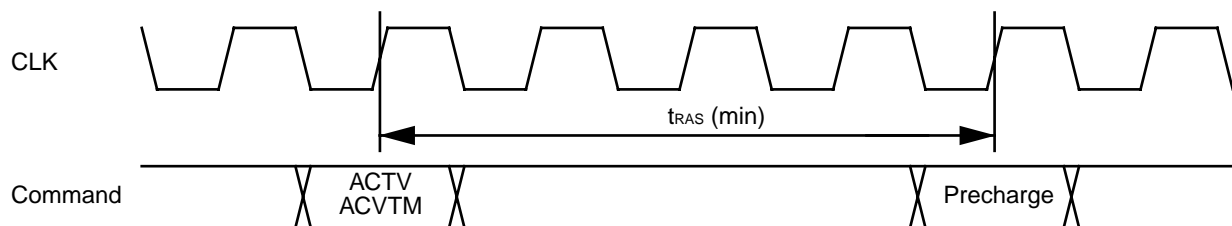


# MB81117422E-125/-100/-84/-67

**TIMING DIAGRAM - 5 : DQM - INPUT MASK AND OUTPUT DISABLE (@ BL = 4)**

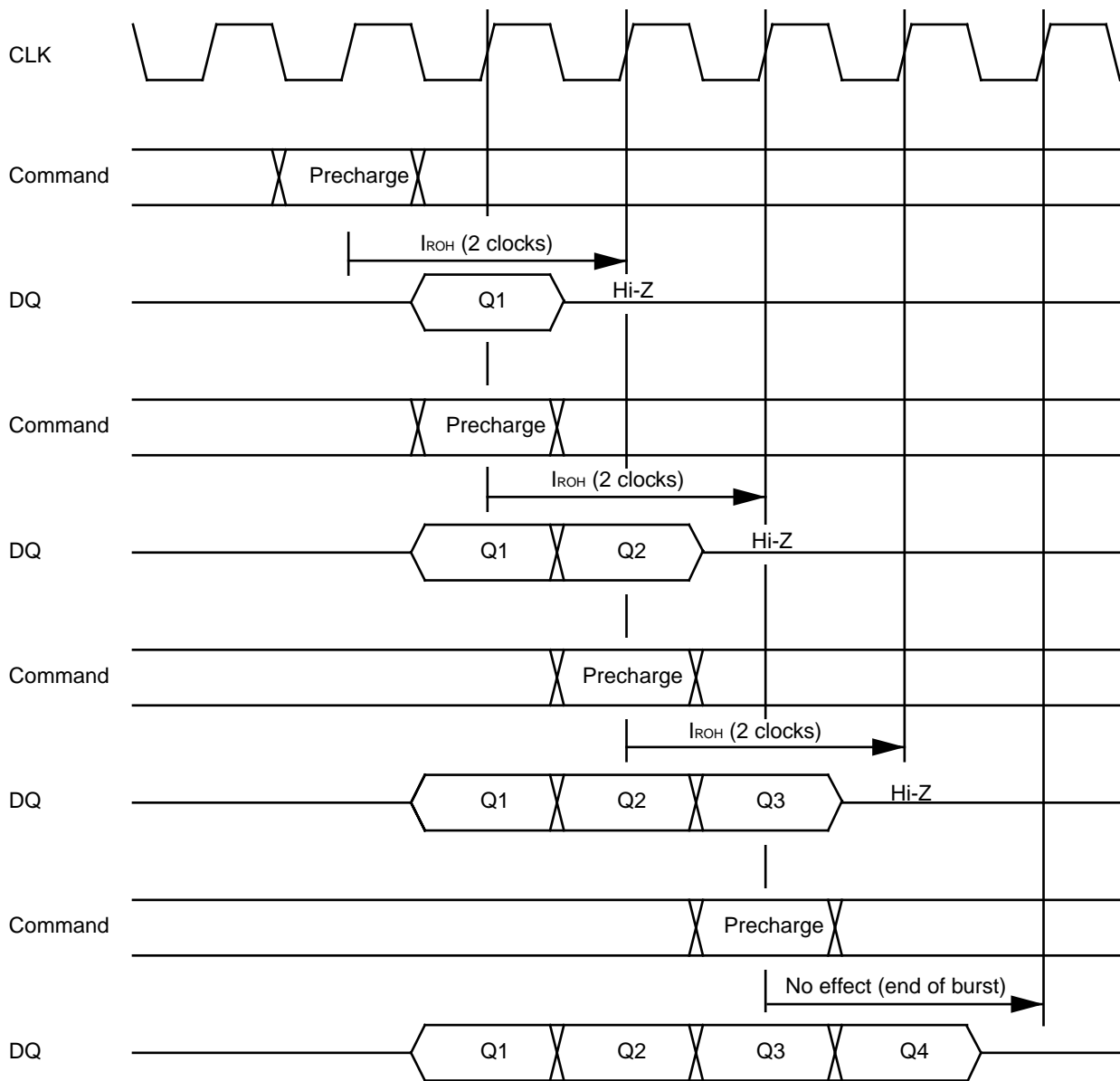


**TIMING DIAGRAM - 6 : PRECHARGE TIMING (APPLIED TO THE SAME BANK)**



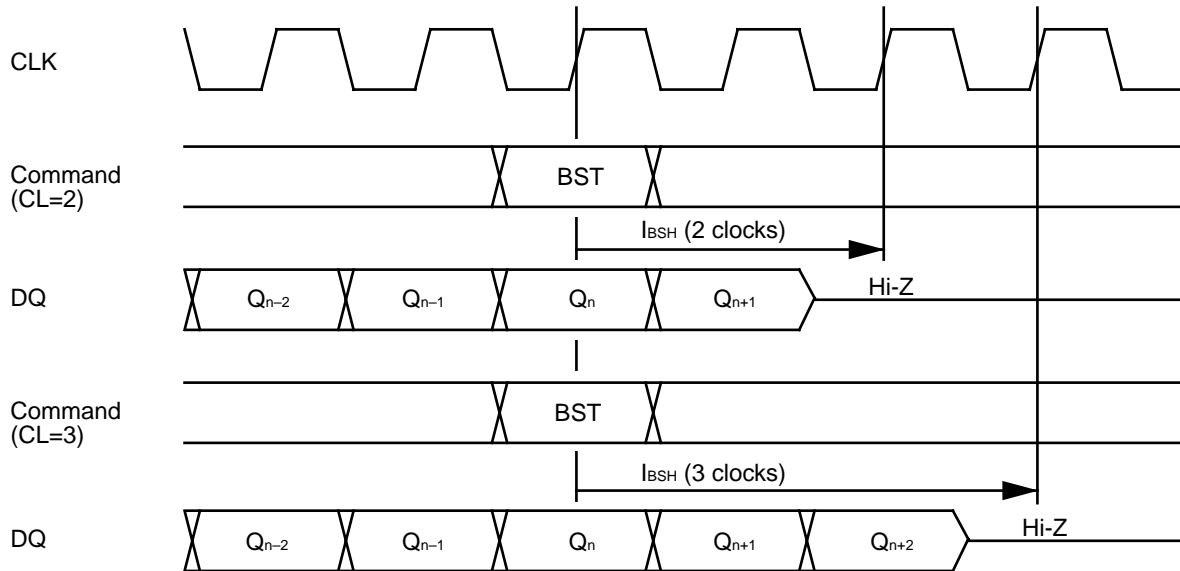
## MB81117422E-125/-100/-84/-67

TIMING DIAGRAM - 7 : READ INTERRUPTED BY PRECHARGE (Example @ CL = 2, BL = 4)

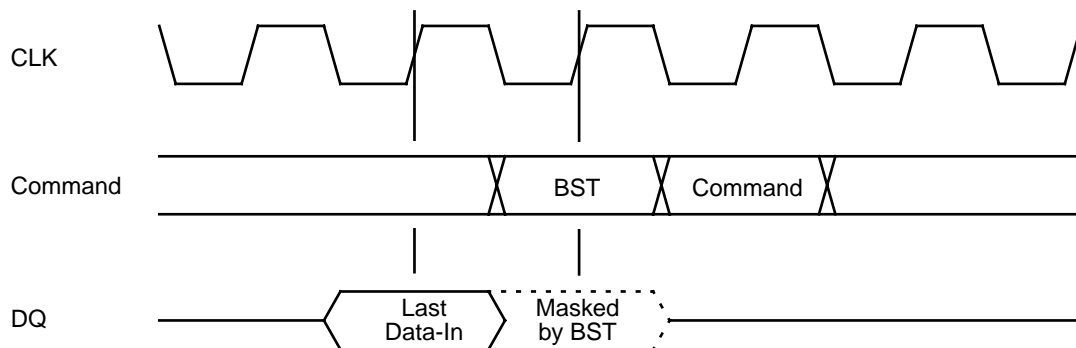


**Note:** In case of CL = 2, the  $I_{ROH}$  is 2 clock.  
In case of CL = 3, the  $I_{ROH}$  is 3 clock.

# MB81117422E-125/-100/-84/-67

**TIMING DIAGRAM - 8 : READ INTERRUPTED BY BURST STOP (Example @ BL = FULL COLUMN)**


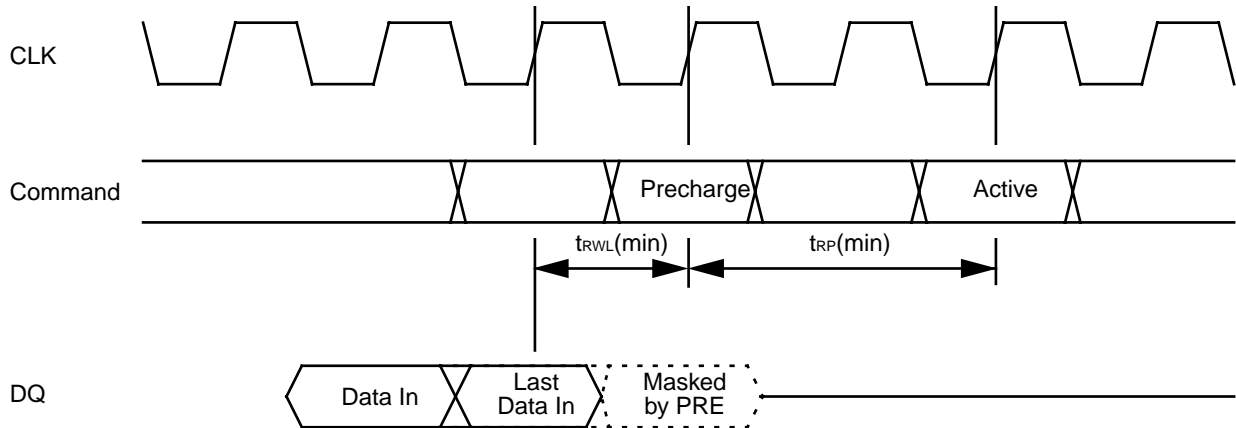
**Note:** The BST command is applicable to terminated the full column burst operation. The selection of auto-precharge option is illegal during the full column burst operation except Write command at BURST READ & SINGLE WRITE mode.

**TIMING DIAGRAM - 9 : WRITE INTERRUPTED BY BURST STOP (Example @ CL = 2)**


**Note:** The Burst Stop command is applicable only to full column burst operation.

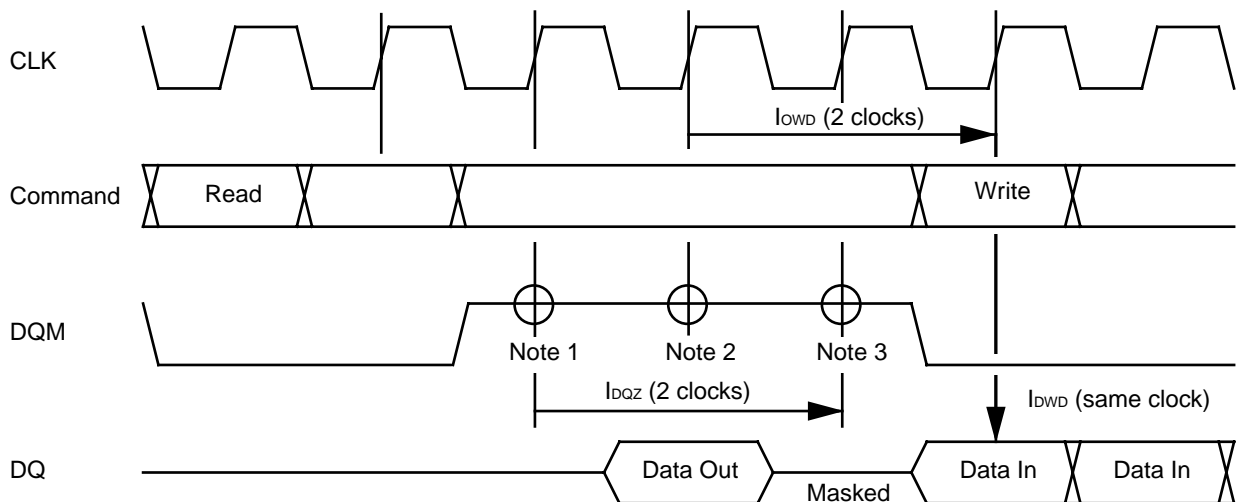
# MB81117422E-125/-100/-84/-67

### TIMING DIAGRAM - 10 : WRITE INTERRUPTED BY PRECHARGE (Example @ CL = 3)



**Note:** The Precharge command (PRE) should only be issued after the  $t_{RWL}$  of final data input, is satisfied.

### TIMING DIAGRAM - 11 : READ INTERRUPTED BY WRITE (Example @ CL = 3, BL = 4)

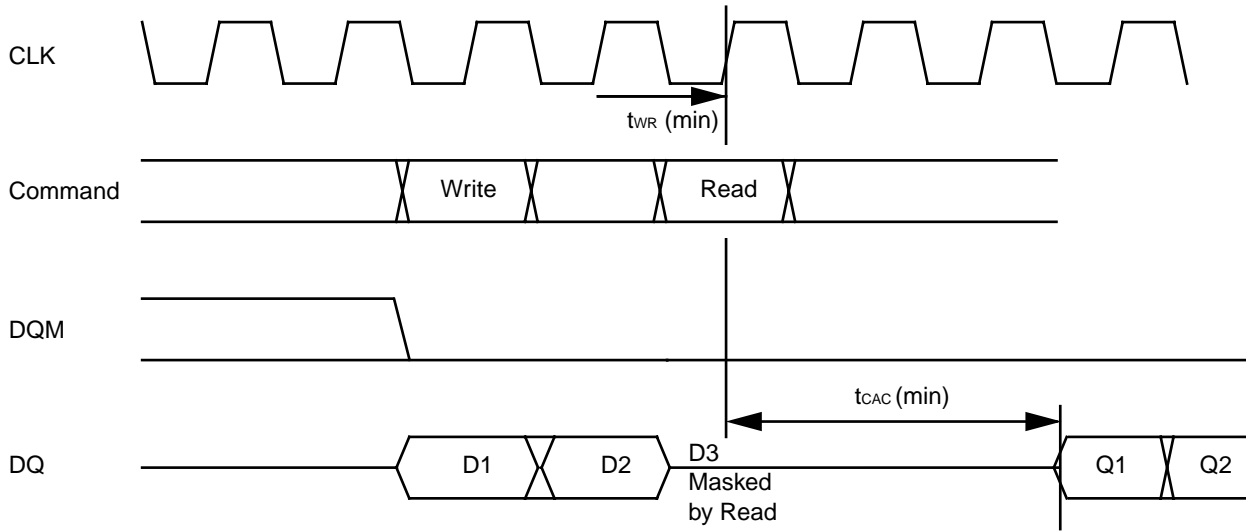


**Notes:**

1. First DQM makes high-impedance state High-Z between last output and first input data.
2. Second DQM makes internal output data mask to avoid bus contention.
3. Third DQM in illustrated above also makes internal output data mask. If burst read ends (final data output) at or after the second clock of burst write, this third DQM is required to avoid internal bus contention.

# MB81117422E-125/-100/-84/-67

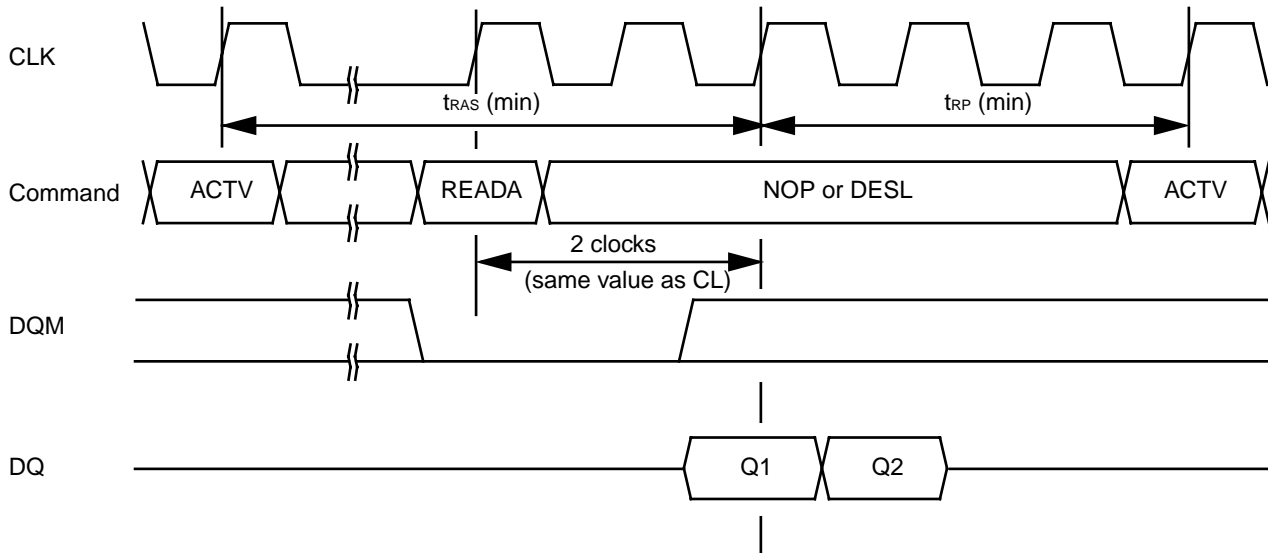
**TIMING DIAGRAM - 12 : WRITE TO READ TIMING (Example @ CL = 3, BL = 4)**



**Note:** Read command should be issued after  $t_{WR}$  of final data input is satisfied if Read command is applied to the same bank.

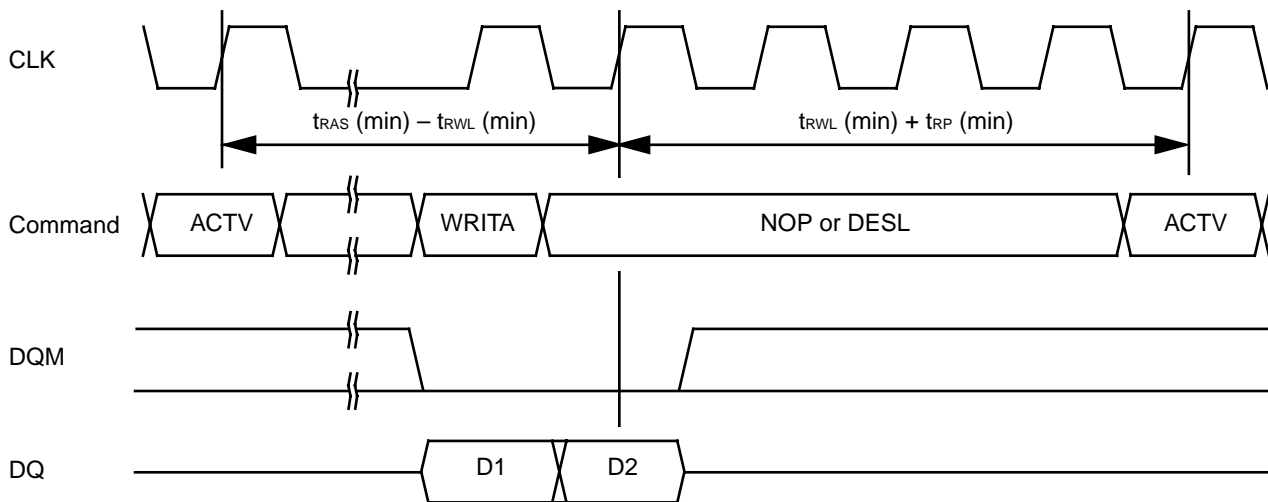
# MB81117422E-125/-100/-84/-67

**TIMING DIAGRAM - 13 : READ WITH AUTO-PRECHARGE**  
(Example @ CL = 2, BL = 2 APPLIED TO SAME BANK)



**Note:** Precharge at read with Auto-precharge command (READA) is started from number of clocks that is the same as CAS Latency (CL) after READA command is asserted.

**TIMING DIAGRAM - 14 : WRITE WITH AUTO-PRECHARGE**  
(Example @ CL = 2, BL = 2 APPLIED TO SAME BANK)

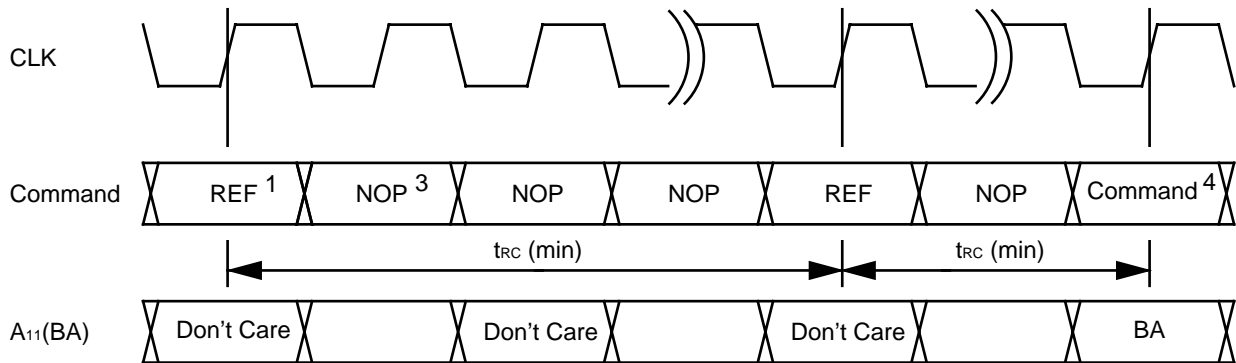


**Note:** Precharge at write with auto-precharge is started after the  $t_{RWL}$  from the end of burst. Even if the final data is masked by DQM, the precharge does not start the clock of final data input. Once Auto precharge command is asserted, no new command within the same bank can be issued. Auto-precharge command doesn't affect at full column burst operation except Burst Read & Single Write mode.



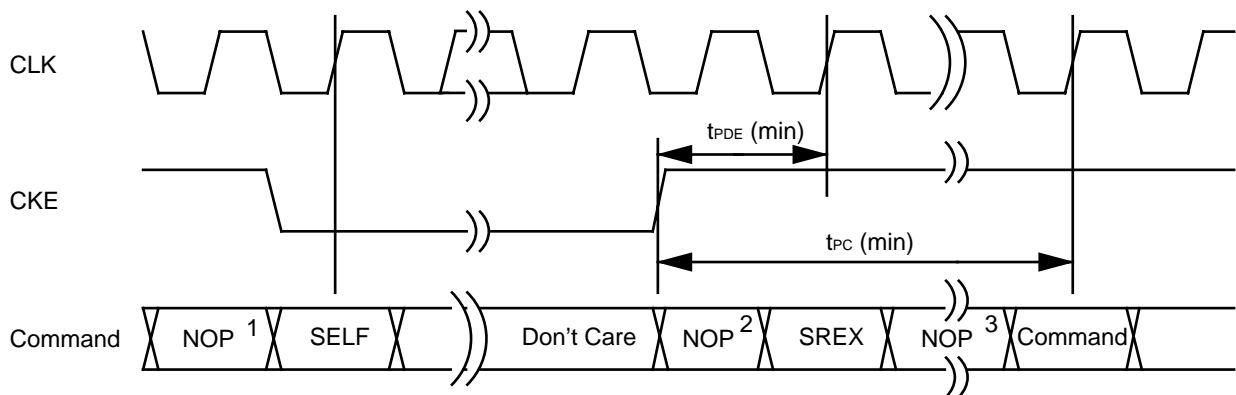
# MB81117422E-125/-100/-84/-67

### TIMING DIAGRAM - 15 : AUTO-REFRESH TIMING



- Notes:**
1. All banks should be precharged prior to the first Auto-refresh command (REF).
  2. Bank select is ignored at REF command. The refresh address is selected by internal refresh counter, and both banks are internally selected simultaneously.
  3. Either NOP or DESL command should be asserted during t<sub>RC</sub> period while auto-refresh mode.
  4. Any Activation command such as ACTV or MRS command other than REF command should be asserted after t<sub>RC</sub> from the last REF command.

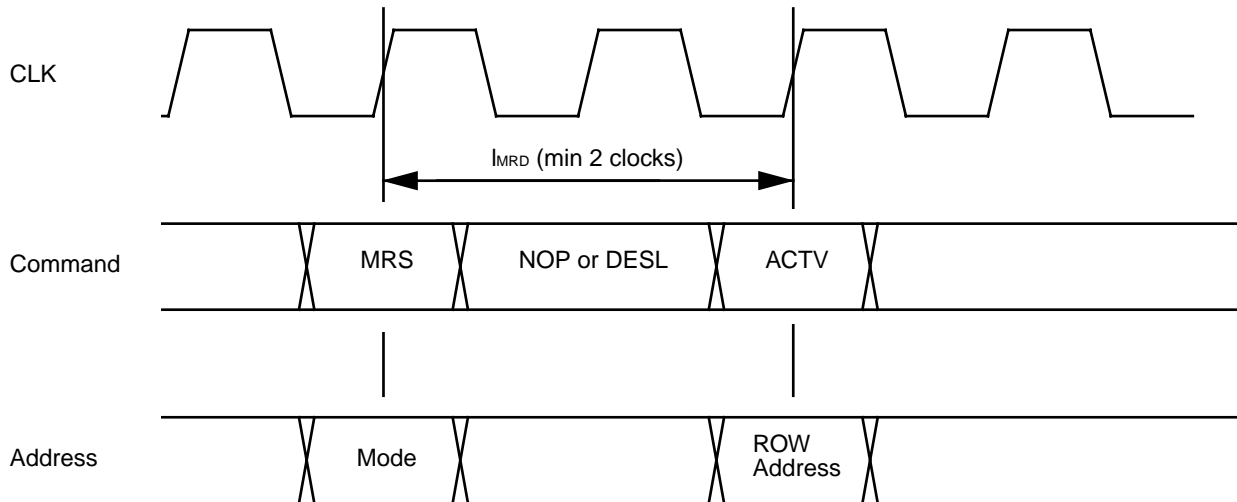
### TIMING DIAGRAM - 16 : SELF-REFRESH ENTRY AND EXIT TIMING



- Notes:**
1. Precharge command (PRE or PALL) should be asserted if any bank is active prior to Self-refresh Entry command (SELF).
  2. The Self Refresh Exit command (SELFX) is latched after t<sub>PDE</sub> (min). It is recommended to apply NOP command in conjunction with CKE. It is also recommended to apply minimum of 4 clocks to stabilize external clock prior to SELFX command.
  3. Either NOP or DESL command can be used during t<sub>RC</sub> period.

# MB81117422E-125/-100/-84/-67

## TIMING DIAGRAM - 17 : MODE REGISTER SET TIMING



**Note:** The Mode Register Set command (MRS) should be only asserted after all banks have been precharged.

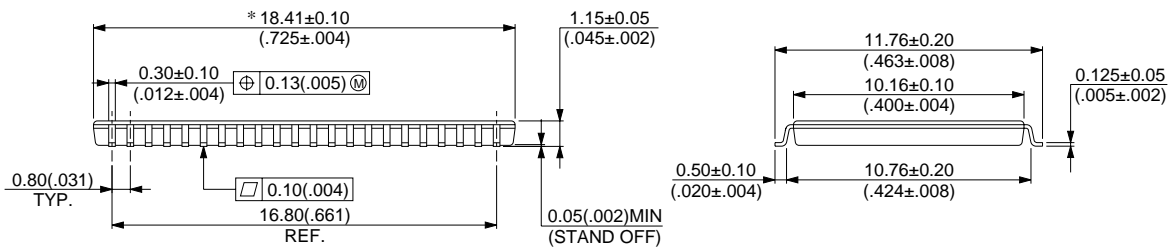
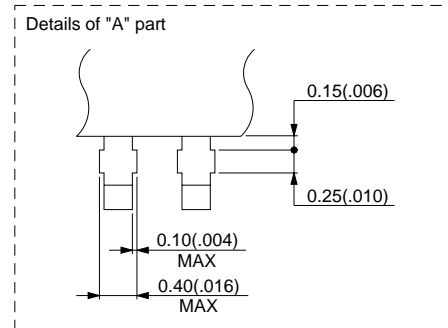
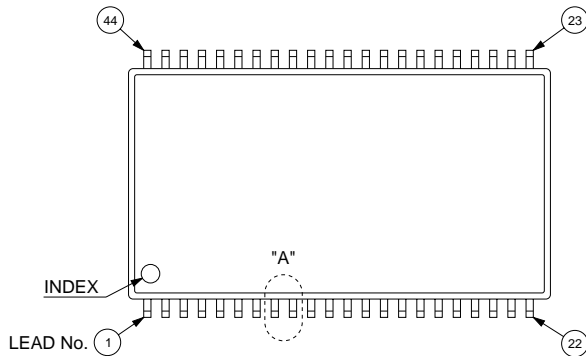
# MB81117422E-125/-100/-84/-67

## ■ PACKAGE DIMENSIONS

Suffix: FN

### 44-LEAD PLASTIC FLAT PACKAGE (CASE No.: FPT-44P-M18)

\*: Resin protrusion. (Each side: .006 (0.15) MAX)



# MB81117422E-125/-100/-84/-67

## FUJITSU LIMITED

*For further information please contact:*

### **Japan**

FUJITSU LIMITED  
Corporate Global Business Support Division  
Electronic Devices  
KAWASAKI PLANT, 4-1-1, Kamikodanaka  
Nakahara-ku, Kawasaki-shi  
Kanagawa 211-88, Japan  
Tel: (044) 754-3763  
Fax: (044) 754-3329

### **North and South America**

FUJITSU MICROELECTRONICS, INC.  
Semiconductor Division  
3545 North First Street  
San Jose, CA 95134-1804, U.S.A.  
Tel: (408) 922-9000  
Fax: (408) 432-9044/9045

### **Europe**

FUJITSU MIKROELEKTRONIK GmbH  
Am Siebenstein 6-10  
63303 Dreieich-Buchsschlag  
Germany  
Tel: (06103) 690-0  
Fax: (06103) 690-122

### **Asia Pacific**

FUJITSU MICROELECTRONICS ASIA PTE. LIMITED  
#05-08, 151 Lorong Chuan  
New Tech Park  
Singapore 556741  
Tel: (65) 281-0770  
Fax: (65) 281-0220

All Rights Reserved.

The contents of this document are subject to change without notice. Customers are advised to consult with FUJITSU sales representatives before ordering.

The information and circuit diagrams in this document presented as examples of semiconductor device applications, and are not intended to be incorporated in devices for actual use. Also, FUJITSU is unable to assume responsibility for infringement of any patent rights or other rights of third parties arising from the use of this information or circuit diagrams.

FUJITSU semiconductor devices are intended for use in standard applications (computers, office automation and other office equipment, industrial, communications, and measurement equipment, personal or household devices, etc.).

#### **CAUTION:**

Customers considering the use of our products in special applications where failure or abnormal operation may directly affect human lives or cause physical injury or property damage, or where extremely high levels of reliability are demanded (such as aerospace systems, atomic energy controls, sea floor repeaters, vehicle operating controls, medical devices for life support, etc.) are requested to consult with FUJITSU sales representatives before such use. The company will not be responsible for damages arising from such use without prior approval.

Any semiconductor devices have inherently a certain rate of failure. You must protect against injury, damage or loss from such failures by incorporating safety design measures into your facility and equipment such as redundancy, fire protection, and prevention of over-current levels and other abnormal operating conditions.

If any products described in this document represent goods or technologies subject to certain restrictions on export under the Foreign Exchange and Foreign Trade Control Law of Japan, the prior authorization by Japanese government should be required for export of those products from Japan.